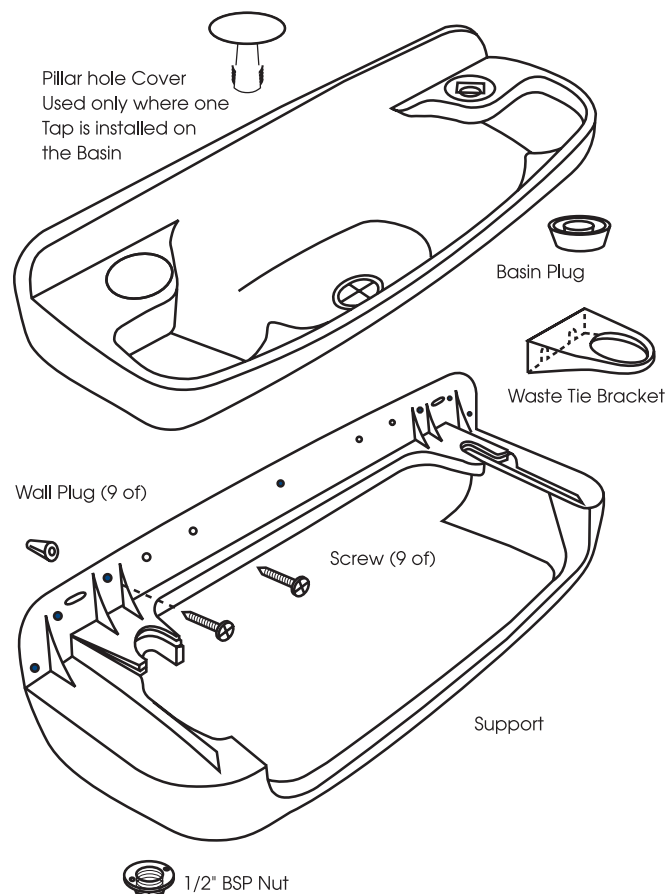


Installation Instructions



Note: Before Installation.

Drill Size: Masonry 8mm (To suit plugs supplied),
Timber 3mm

Screws supplied are not suitable for steel studs.

We do not recommend fixing the basin to any sheet wall lining, it should be fixed to solid masonry or noggins and studs.

Please leave the care label in place for the householder to read.

Mounting the Support Bracket.

1. Mark a vertical centre line on the wall where the basin is to be installed.
2. Mark a horizontal line 920mm (recommended) above floor level intersecting the centre line. This is the position for the top centre hole in the bracket.
3. Drill wall and gently tighten centre screw, level bracket and mark three remaining screw positions on each side.
4. Drill wall and install the six screws. Do not over tighten.

Mounting the Basin.

1. Clip the waste tie bracket to the outlet tail of the basin (screw slots facing down).
2. Fit the basin onto the wall bracket. Ensure that it sits firmly into the rear recessed lip and front supports under the soap wells.
3. Check that the tie bracket is square to the wall and mark the position for the two screws. Install screws (if using masonry plugs the basin and tie bracket can be removed for this operation).

Mounting Pillar Taps.

1. Fit pillar taps onto the basin and tighten flange nuts. A square recessed hole will locate the tap and the flange nuts will clamp the basin to the bracket.

Connect Trap to waste outlet.

Connect taps to supply.