

Opal Sole Shroud

SHROUD INSTALLATION INSTRUCTIONS PLEASE READ CAREFULLY BEFORE INSTALLATION

SHROUD INSTALLATION

- 1- Fix the Concealed Fixing Bracket (supplied) to the wall, as detailed in **Fig. 3**.
- 2- Ensure basin is secured and plumbing is connected. Water inlet connections must be positioned as shown in **Fig. 3**. The brass elbow shown in **Fig. 2** to be used only on 3 Tap hole basin (optional).
- 3- Gently position the shroud into position beneath the basin and locate the plastic fixing sleeves (supplied) into the holes each side of the shroud. Screw the fixing studs into the concealed fixing bracket and tighten with a 1/4" Allen key (not supplied) to mount the shroud to the wall.

IMPORTANT: DO NOT OVER TIGHTEN, AS THIS MAY CRACK THE SHROUD SIDE.

- 4- Check shroud is level and secured against basin. Snap on plastic cap (supplied).

'P' Trap Outlet Centre

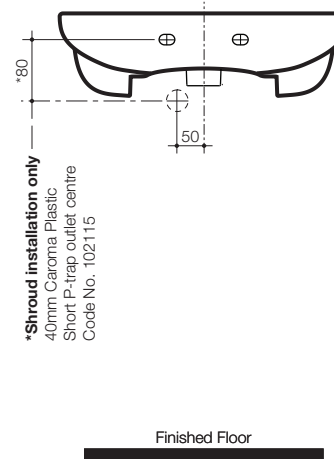


Fig. 1

Shroud Detail

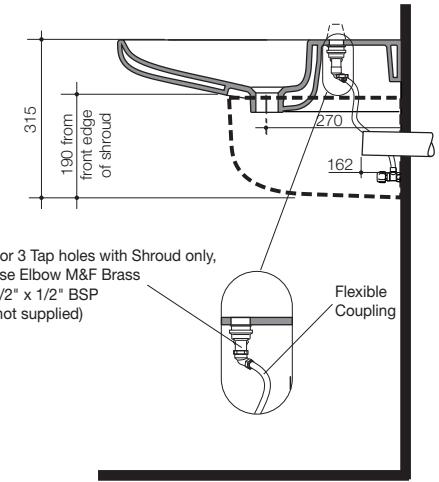


Fig. 2

Shroud Fixing

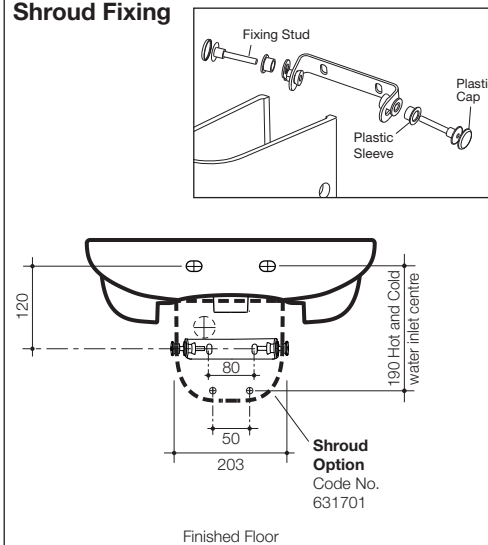


Fig. 3

All measurements are subject to accepted manufacturing tolerances. To ensure accuracy please check actual product dimensions before drilling for installation. The manufacturer reserves the right to change specifications at any time without giving prior notification. This product should be installed by a qualified plumber. Local authority, water board, and building regulations may apply to the installation of this product, and you should consult the appropriate bodies on these requirements.

Date of Issue: 25.01.12
Issue No: 5