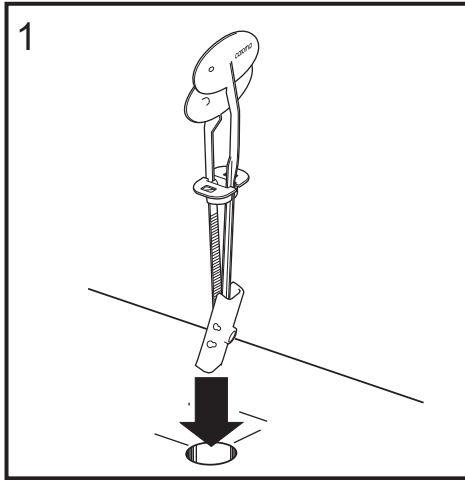
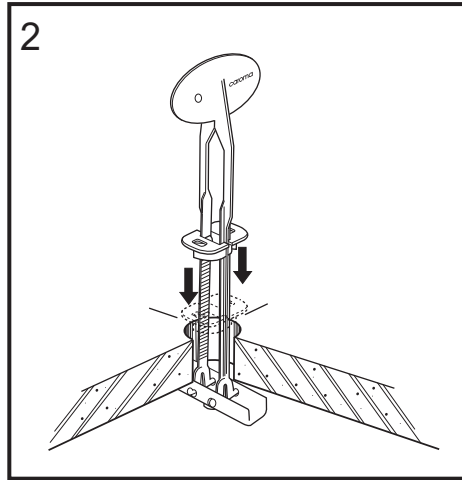


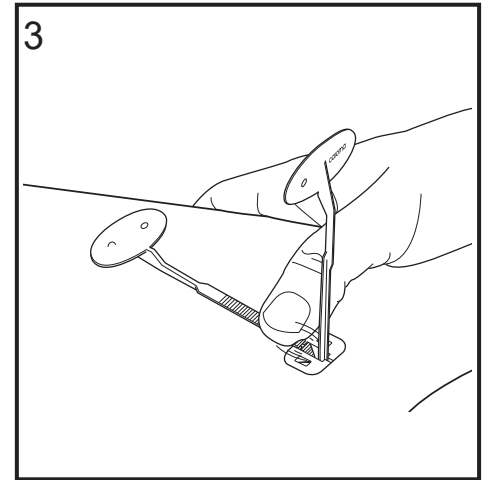
## Soft Close Toilet seat



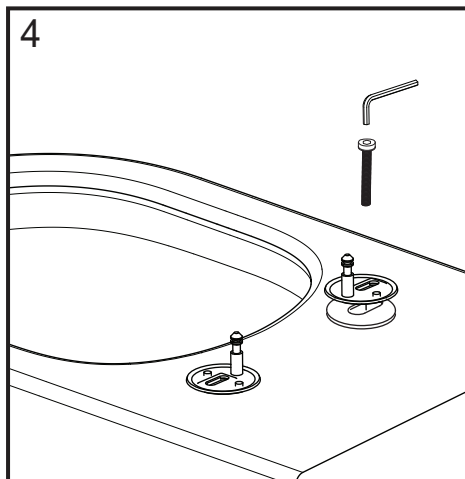
Push metal toggle through pan hole.



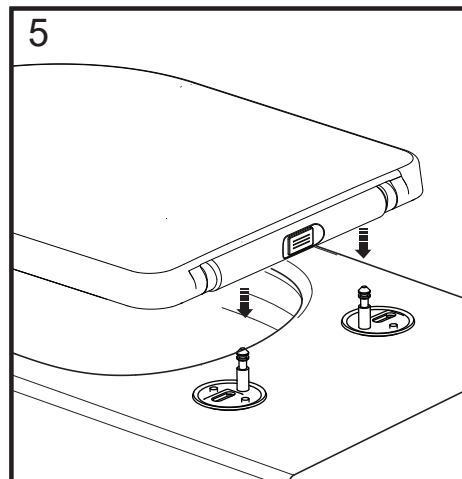
Realign handles and pull upwards while pushing locking bush down into pan hole.



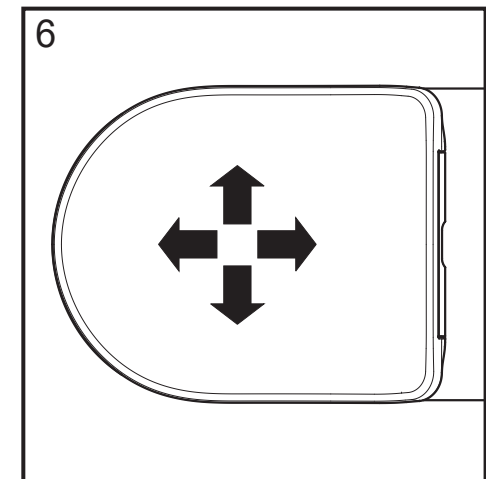
Break off handles flush with locking bush. Trim excess with a pair of side cutters if required.



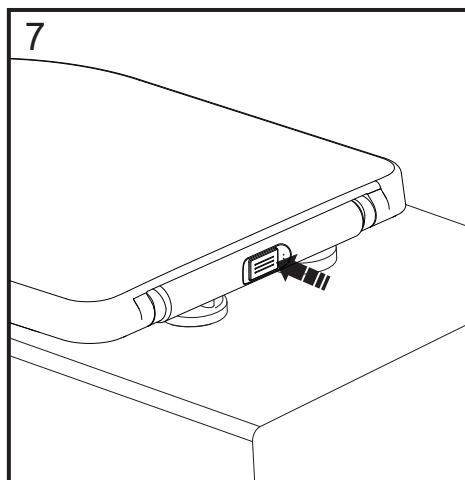
Fit the rubber pads to the underside of the 2 hinge mounting posts, insert the elongated washer and **loosely** fasten to the pan.



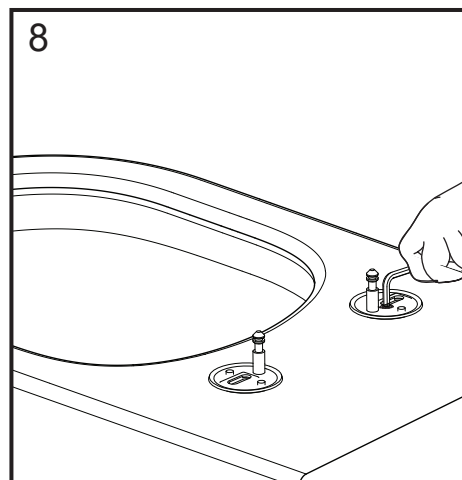
Align the hinge posts with the corresponding holes in the seat assembly and push down until it clicks.



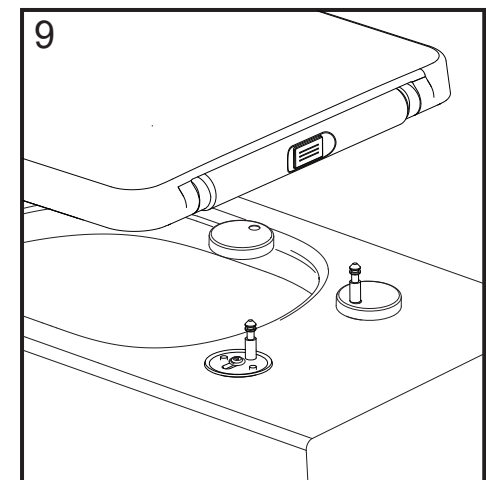
Adjust seat to desired position on pan.



Push the button at the rear of the seat to release and remove the seat taking care not to move the hinge posts.



Fully tighten the bolts using the hex key provided.



Slide the stainless steel covers over the hinge posts and fit the seat.

**IMPORTANT :** Never use abrasive or harsh chemical cleaners. Wipe seat with warm soapy water to maintain surface finish.