

Caroma® QUATRO ACCESSORIES

INSTALLATION INSTRUCTIONS

Important Information:

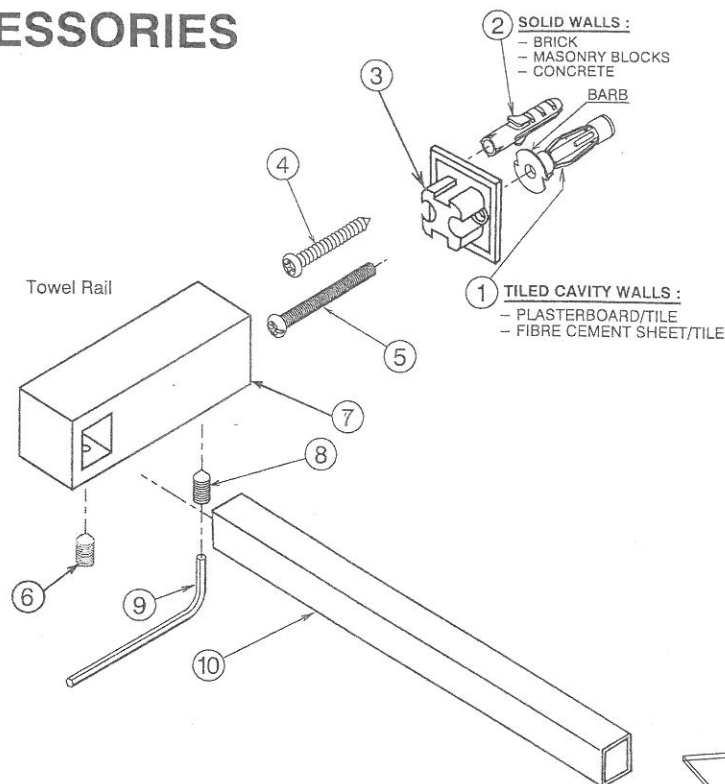
- * Wall anchor (1) is only suitable for use in cavity walls with a tiled surface. If installing into a plasterboard cavity wall (untiled) it is recommended that the accessory be attached to the wall in line with a stud or noggin using suitable screws.
- * For cavity wall applications, the total wall thickness must be 10-16mm.
- * The distance between drilled holes must be accurate to ensure correct fit when accessory is installed.
- * Ensure hole centres are horizontal before drilling.
- * To prevent drill from wandering on tiled surface it is recommended that masking tape be applied before drilling.
- * Centre distances between each pair of drilled holes:
 - For Towel Rail Single/Double 600 mm: $592 \pm 2\text{mm}$
 - For Towel Rail Single/Double 900 mm: $892 \pm 2\text{mm}$
 - For Glass Shelf: Mark centres of bases(7) with glass shelf resting against wall horizontally.

Installation

- 1) **SOLID WALLS:** -(Brick, masonry blocks, concrete etc)
 - i) Drill holes 6 mm diameter, 40mm deep.
 - ii) Insert rounded end of wall plugs (2) into drilled holes and tap until flush with the wall surface.
 - iii) Fit screws (4) through holes in fixing plates (3) before inserting into wall plugs (2).
 - iv) Tighten screws (4).
 - v) For Glass Shelf/ Towel Rail: Check alignment of both fixing plates before tightening screws (4).
- TILED CAVITY WALLS:** -(Plasterboard/tile, fibre cement sheet/tile)

Note: Total wall thickness must be between 10-16mm.

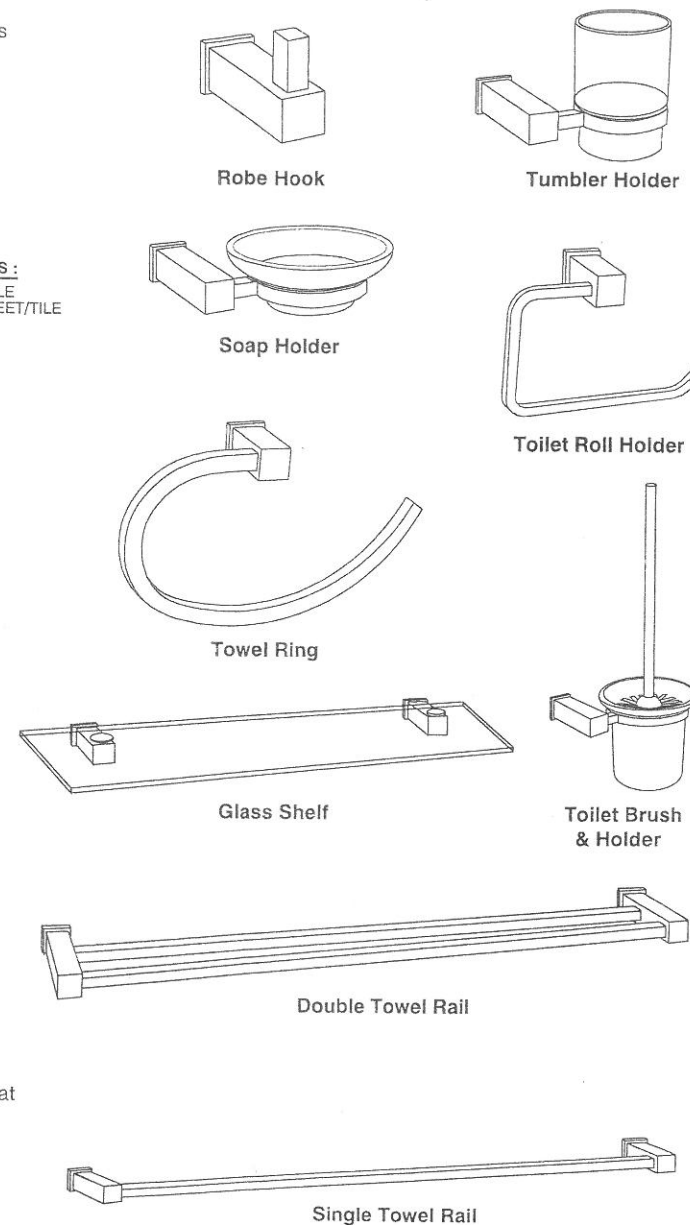
 - i) Drill holes 8mm diameter.
 - ii) Flatten barbs on head flange of wall anchors (1). Insert the wall anchors (1) into the drilled holes until the head flange is against the wall surface.
 - iii) Fit the wall anchor M4 screws (5) through holes in fixing plates (3) before screwing them into installed wall anchors.
 - iv) Tighten screws (5).
 - v) For Glass Shelf/ Towel Rail: Check alignment of both fixing plates before tightening screws (5).
- UNTILED CAVITY WALLS:**-(Plasterboard)
 - i) Determine a suitable position to attach fixing plates (3) so that they can be fixed to a stud or noggin in the wall.
 - ii) Fit suitable screws (4) through holes in fixing plates (3) and screw directly into stud or noggin. For Glass Shelf/ Towel Rail: Check alignment of both fixing plates before tightening screws.



Warning -

Do not install glass shelf in a shower cubicle.

- 2) For Soap Holder/ Towel Ring/ Toilet Roll Holder/ Robe Hook Tumbler Holder/ Toilet Brush & Holder:
 - Loosen the screw (8) on the accessory using the allen key (9) provided. Install accessory (7) onto fixing plate (3), making sure that fixing screw (8) is located underneath as shown.
 - With accessory resting securely against wall surface, tighten screw (8) using allen key (9) provided.
- 2) For Towel Rail:
 - Loosen the screws (8) and screws (6) on the accessory using allen key (9) provided. Assemble tube (10) into bases (7) and install towel rail assembly onto fixing plates (3), making sure that fixing screws (8) are located underneath as shown.
 - With towel rail assembly resting securely against wall surface, tighten screws (8) and screws (6) using allen key (9) provided.
- 2) For Glass Shelf:
 - Loosen the screws (8) on the accessory using allen key (9) provided. Install glass shelf assembly onto fixing plates (3), making sure that fixing screws (8) are located underneath as shown.
 - With glass shelf assembly resting securely against wall surface, tighten screws (8) using allen key (9) provided.



Caroma Industries Limited
 trading as Caroma Dorf
 ABN 35 000 189 499
 Baulkham Hills BC, Locked Bag 5005
 Baulkham Hills NSW 2153 Australia
 a division of GWA International Limited

IS 8297