



CAROMA

SMART COMMAND Eco Valve

Bluetooth® Enabled Isolation Valve

CI/SfB	(74.1)	g3
Date	March 2020	

Supersedes all previous issues

13.08.1





SMART COMMAND Eco Valve

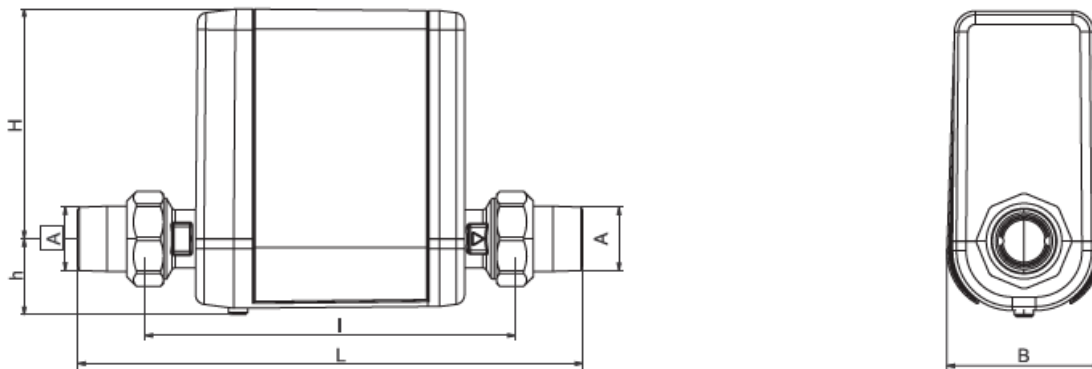


- Continuous monitoring of water supply with preventative alerts to avoid catastrophic damage when integrated into the Caroma Smart Command system.
- Isolates the flow of water if user configurable set limits are exceeded:
 - * Maximum Flow Rate * Continuous Flow Volume
 - * Continual Flow duration * Pressure drop over time i.e.: Micro-leak
- Adaptive, intelligent Micro leakage detection testing algorithm learns when the most suitable time to conduct testing, eliminating downtime.
- Configurable alert and notification preferences (via integrated Touch Pad controller & LED Screen).
- LCD screen provides display of Current Status and Alarms
- Easy access to serviceable components and manual over-ride key.
- Bluetooth enabled for direct access from a smart device (with Smart Command App), communication with Smart Command Gateway* to provide connection to the Caroma Smart Command Cloud or BACNET BMS software.
- Smart device app enables fast commissioning and maintenance
- Complete with power supply and battery backup.

Part Number

510100	Smart Command ECO Valve DN20
510101	Smart Command ECO Valve DN25
510102	Smart Command ECO Valve DN32

Connections:	DN 20 (R3/4"), DN25 (R1"), DN32 (R1 1/4")
Electronics:	Supply voltage to the system is 240V AC 50Hz. Operating current 12 volts DC.
Installation:	For general electrical connection install a plug socket 240V AC. Valve to be installed downstream from main mechanical isolation vale.
Dimensions:	All dimensions are in millimetres and are subject to normal manufacturing variations. Caroma pursues policy of continued improvement in design and performance of its products. The right is therefore reserved to vary specifications without notice.

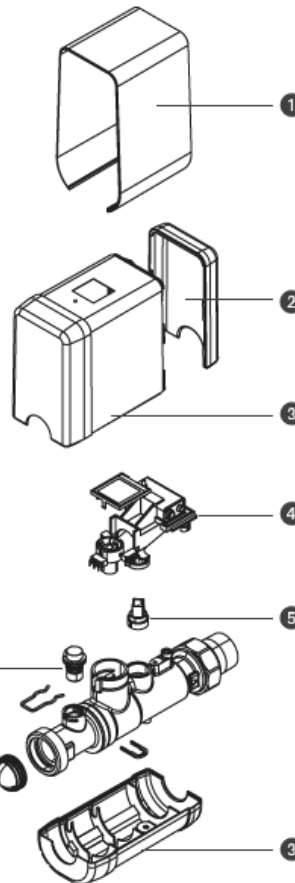


Nominal size	DN 20	DN 25	DN 32
A	3/4"	1"	1 1/4"
H	118.8 mm	118.8 mm	118.8 mm
h	39 mm	39 mm	39 mm
L	265.2 mm	261.2 mm	285.2 mm
l	191.2 mm	191.2 mm	191.2 mm
B	79.5 mm	79.5 mm	79.5 mm

Flow capacity	DN 20	DN 25	DN 32
500 kPa	75.2 lpm	80.2 lpm	80.2 lpm
1000 kPa	106.9 lpm	121.9 lpm	128.6 lpm

Figure 1: Overall Dimensions (External) and maximum flow capacity

- ① Cover
- ② Battery compartment
- ③ Shell
- ④ Motor unit
- ⑤ Pressure sensor
- ⑥ Conductivity cartridge
- ⑦ Inlet strainer



Components and spare parts

Power supply (no illustration)
510010


Pressure sensor with cable
510012

Conductivity cartridge
510013

Reed switch (no illustration)
510014

Inlet strainer, complete
510015

Temperature sensor (no illustration)
510016

 Technical Data Smart Command Eco valve	
Dimensions	150mm x 285mm x 80mm
Weight	Gross: 2.5kg
Power Supply	Wall mounted power pack (supplied)
Sensor types	Flow meter, Pressure, Temperature, Conductivity
Plug Pack Input	220-240 VAC 50/60 Hz; AS/NZS 3112 Compliant AU Pins
Plug Pack Output	12VDC
Energy Consumption	Standby: 1.2 W Activation: 2 W Data Transmission: 1.2 W
Ambient Operating (Air) Temperature	0°C...60°C
Operating Water Temperature Range	4°C... 65°C.
Operation Pressure (Static)	100-500kPa as per AS/NZS 5200 (Max Rating 1400kPa)
IP Rating	IP32
BMS Connection Type	Compatible with BACnet BMS connection via Caroma Smart Command Bluetooth® Gateway (410100) & Concentrator (410101) Connectivity with Caroma Smart Command Cloud with Internet connection.
Communication Protocol	Bluetooth® 4.0
Power Supply EMC Approvals	CE, C-Tick and FCC
Power Supply Safety Approvals	RCM, UL, CUL, TUV, GS, SAA, CE and CB
Power Supply Safety Compliance	AS/NZS 60950, UL 60950, EN 60950, IEC 60950
EMC Compliance	EN 301 489-1 V2.1.1, EN 300 328 V2.1.1, EN 623111, EN62368-1: 2014, AS/NZS CISPR 32:2015 (ITE Class B)
Electrical Safety Compliance	IEC 60950-1, UL 60950-1, CSA C22.2 60950-1
Product Compliance	Watermark Approved to WMTS479:2018
Packaging	Dimensions: TBC Quantity: 1

* Note: Technical Specification subject to change