

PLUMBERS INSTALLATION INSTRUCTIONS

Important Information

- * In-wall body kit & Trim kits are supplied in separate boxes. For Trim kit installation, follow the instructions supplied with the suitable Trim kit.
- * Brazed connections should NOT be made directly onto the mixer, as excessive heat will cause permanent damage.
- * All pipework must be thoroughly flushed prior to installation.
- * Sealant/ waterproofing materials used to seal the wall penetration and lining board must not interfere with the removal of the protective sleeve (2) and installation of the trim components.

Installation (Fig. 1)

- 1) Fit mixer body (1) onto a suitable mounting plate or noggin in the wall and secure using screws (not supplied) through the holes in the body. When facing the mixer, the connections should be as follows:
Hot water inlet connection 'H' to the left.
Cold water inlet connection 'C' to the right.
Mixed water outlet connection, vertically upwards.
Check all connections for leaks & tap for correct operation.

Important :

- * The front face of the mounting plate or noggin must be parallel to the finished wall/tile face.
 - * To avoid damaging the decorative finish, do not remove the protective sleeve (2) until installing the trim kit.
 - * The rotational alignment of the body must be accurate. (Refer to the trim kit instructions)
- 2) Seal the wall penetration between the lining board and the mixer body (1) and apply a waterproof membrane to the manufacturers specifications. **Important:** Sealant/waterproofing materials must remain clear of the protective sleeve (2) and the surface it protects to allow for removal of the sleeve and installation of the trim components.

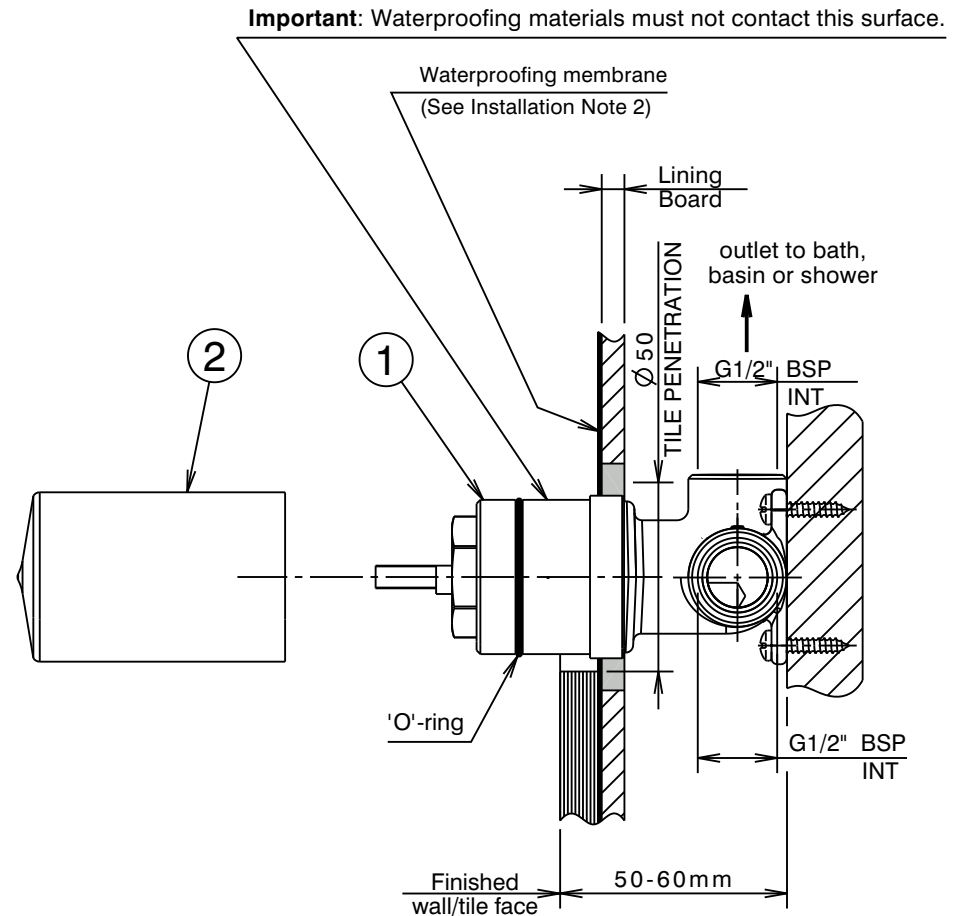


Fig. 1

IMPORTANT

Pressure & Temperature Requirements.

- Hot and cold water inlet pressures should be equal.
- Static inlet pressure range : 150 -1000 kPa
New Regulation : -500 kPa maximum static pressure at any outlet within a building. (Ref. AS/NZS 3500.1)
- Maximum hot water temperature : 80°C.

Installation Requirements.

- The installing plumber is responsible for waterproofing all penetrations for Taps in Shower areas at installation by a proprietary flange system or a sealant. (Ref AS3740)