

MINIMALIST SPRING PULL DOWN SINK MIXER WITH TWIN ACTION SPRAY INSTALLATION GUIDE

TECHNICAL SPECIFICATIONS

Operating Pressure:

Min 150 kPa.

If supply exceeds 1000 kPa a pressure limiting valve must be installed.

Operating Temperature:

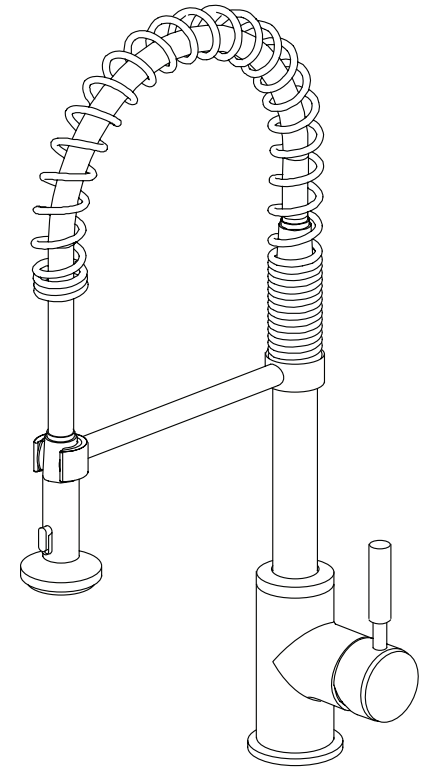
Hot: Min 55°C (at mixer), Max 80°C.

Cold: Min 5°C.

NB: New Zealand Building Code Clause G12 - Water Supplies specifies all outlets used primarily for personal hygiene shall deliver water at a safe temperature.

Inlet Connections:

All 1/2" BSP.



Methven warrants this product against manufacturing defects and that it is suitable for use under the operating conditions specified in this instruction sheet.

For your warranty please refer to www.methven.com or call Customer Service

New Zealand
0800 804 222

Australia
1300 638 483

USA
1800 975 5409

UK
0800 195 1602



METHVEN
MINIMALIST

IMPORTANT

Please read all of the instructions before installation

This mixer is designed for mains pressure systems.

This mixer is not recommended for use in uncontrolled heating systems such as wet-backs or solar heating units.

All pipework must be thoroughly flushed prior to the installation of the mixer. Inline filters must be fitted on both hot and cold supplies to prevent foreign particles damaging the ceramic cartridge.

1. Cut a 35mm diameter hole through the bench top. Maximum bench thickness 30mm.
2. Remove the rubber washers, support ring & brass backnut. Place over both flexible supply hoses as shown.
3. Pass both flexible hoses up through bench & fit to the mixer body as shown.
4. Secure the faucet to the bench by tightening the brass backnut.
5. Flush pipework thoroughly.
6. Connect the flexible hoses to their respective water supplies (see over page). Machined nipple ends are required to ensure a seal to the flexible hose nuts and the rubber washers.
7. Attach spray nozzle to outlet hose.

