

Care 610 Cleanflush™

4.5/3 litre Dual Flush Toilet Suite for People with Accessible Applications



The **Care 610 Cleanflush™** connector suite offers an elevated pan for easy transfer on and off the seat for those with limited mobility. The added hygiene of the Cleanflush® rimless flushing system makes the range ideal for hospital, aged care and commercial applications where the absolute highest levels of hygiene and rapid cleaning are required. The versatility of the Care 610 pan makes it suitable for use by both ambulant persons with disabilities and wheel-chair users, including commode chairs.

Pans: **Care 610 Cleanflush™** 4.5 litre full flush washdown rimless pan with a fully glazed trap.

Traps: S or P-trap unvented only.

Inlet: 50mm back inlet 40mm key seal is available if required.

Cisterns: **Profile Smartflush Cistern** (wall fix version) – has a free fitting lid and is suitable for domestic and light commercial applications.

Important: Working pressure minimum 30kPa to maximum 1000kPa flow pressure. Rain water tank compliant.

Vandal Resistant Conversion Kit – A simple to install conversion is available for the standard mechanism to lock lid onto the cistern, recommended for use in heavy use commercial areas. Code No.750109.

Buttons: Round Button - Metal (supplied). Other button options sold separately. See Section 4.01 for further details

Inlet Valve Overflow: **Standard Bottom Entry Cistern** – available as right hand inlet which is interchangeable and incorporates Quietflow inlet valve. Internal overflow only.

Seat and Connector Plate: **Caravelle Care** seat supplied, available in Caroma White (W), Sorrento Blue (SB) and Anthracite Grey (AG). See Section 3 SEATS for further details.

Colours: White only.

Installation: The installation of the toilet suite shall be in accordance with the normal minimum drainline grade requirements in AS/NZS 3500.2.

Dimensions: All dimensions are in millimetres and are subject to normal manufacturing variations. Caroma pursues a policy of continuing improvement in design and performance of its products. The right is therefore reserved to vary specifications without notice.



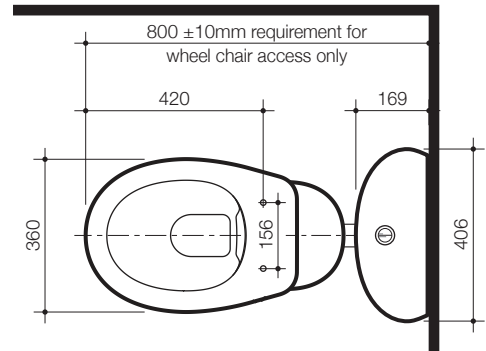
cleanflush

Note: The projection requirements detail on this illustration are for wheel chair access only. The projection requirements for people with ambulant disabilities is 645 to 660mm.

All height dimensions to underside of pan, make allowance for mortar bedding.

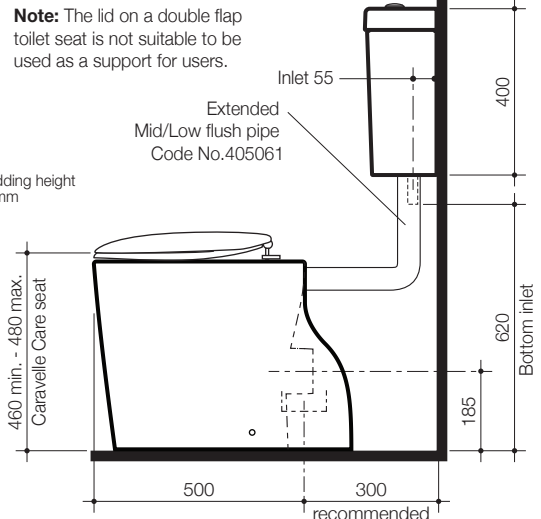
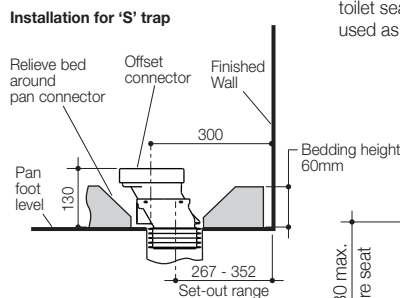
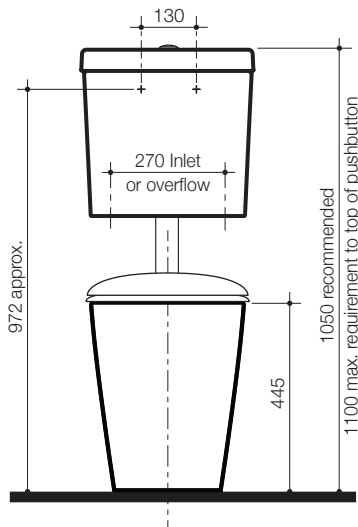
Mortar bedding: The pan should be fixed to the floor with a sand cement mixture of 3:1 to a depth of 60mm. When bedded the back of the foot of the pan should be approximately 10mm above the finished floor.

Screw fixing: The pan should be bedded with an acetic cured silicone sealant and fixed with corrosion resistant screws and pan guard washers. Use Caroma pan fixing kit. Code No.601150.



Care 610 Cleanflush Toilet Suites:

With Caravelle Care Seat —		Code No.	Seat colour:
Single Flap	S trap	982931	W, SB or AG
	P trap	982941	W, SB or AG
Double Flap	S trap	982932	W, SB or AG
	P trap	982942	W, SB or AG



Note: The lid on a double flap toilet seat is not suitable to be used as a support for users.

Inlet 55
Extended Mid/Low flush pipe
Code No.405061