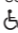


Leda Care Invisi II Wall Faced Suite

4.5/3 litre Dual Flush Toilet Suite with Leda Care Vitreous China Wall Faced Pan and concealed Invisi II Cistern for Inwall, Induct or Inceiling applications. For accessible application installations complying to the WC pan requirements to AS 1428.1-2009.

The 4.5/3 dual flush **Leda Care Invisi II** Smartflush suite uses Caroma Smartflush technology to deliver water-saving technology and is designed to provide a raised seat height of between 460-480mm for accessible applications . For compliance to AS 1428.1, it is necessary to locally extend the wall out to provide pan projection of 800mm \pm 10mm to the front of the pan.

Important : Reference must be made to AS 1428.1-2009 with current amendments to determine circulation space, grabrail and installation requirements. The dimensions in this sheet may change with amendments to the standard.

Pan: Leda Care 4.5 litre full flush wash down box rim type.

Traps: Universal trap.

Inlet: 50mm back inlet. A 40mm Kee seal is available.

Cisterns: Caroma Concealed Cistern options available – **Invisi II Inwall/Induct/Inceiling Cisterns**. For installation options see *Cisterns* section. Care buttons and access plate or remote mounting box are not included with the cistern.

Important: Working pressure minimum 30kPa to maximum 1000kPa flow pressure. Rain water tank compliant.

Position of the Pan: For wheel chair access the installed pan must be 800 \pm 10mm from the front of the pan to the finished wall and provide a seat height of 460 to 480mm. For people with **ambulant disabilities** the pan can be fitted directly to the existing wall without the need to locally extend the wall.

Position of Cistern: The pan is suitable for installation with concealed cisterns providing the circulation space requirement is maintained. The height of the push button must be no greater than 1100mm to the top of the push button and positioned within the push button zone or on the centre line of the pan.

Seats: Recommended Caroma seats – **Pedigree II Care, Colani** disabled and **Caravelle Care** (refer to SEATS section for colour options and further details).

Installation: Refer to *Important Information for Plumbers* section.

Colours: White only



Wall infill piece not supplied

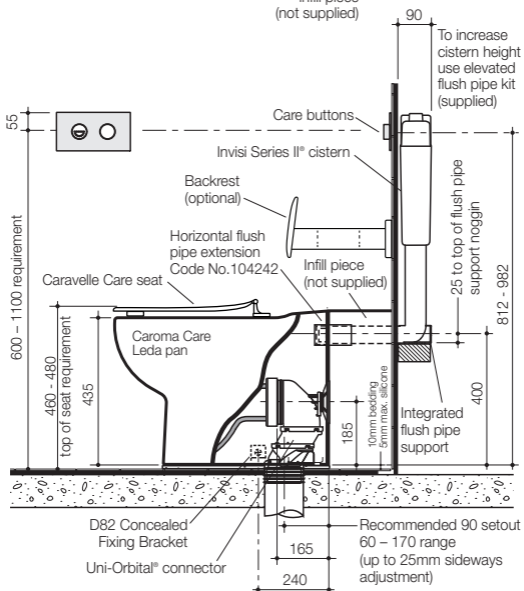
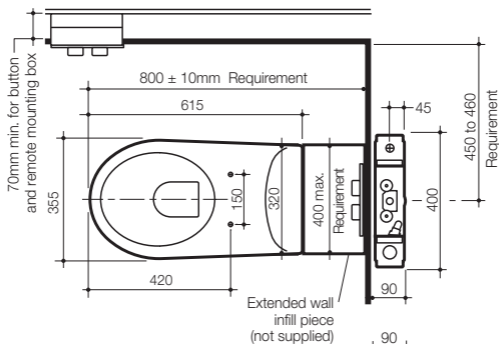
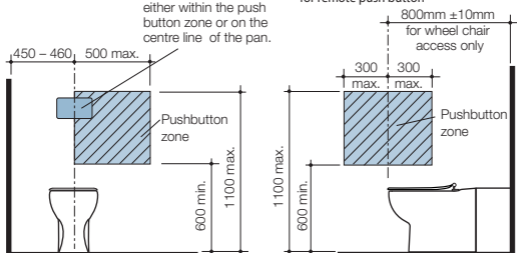
Backrest Sold Separately



Leda Care Invisi II Wall Faced Suite (continued)

Note: Push button position must be either within the push button zone or on the centre line of the pan.

Alternative side push button position for remote push button



* Reference must be made to the AS 1428.1-2009 to confirm installation requirements.

Note: The projection requirements detail on this illustration are for wheel chair access only. The projection requirements for people with ambulant disabilities is 610 to 660mm.

For height dimensions to underside of pan, make allowance for mortar bedding.