



CAROMA

SMART COMMAND

Gateway

Bluetooth® enabled data transceiver

CI/SfB	(74.1)	g3
Date	August 2018	

Supersedes all previous issues

13.01.1





SMART COMMAND Gateway - Bluetooth®



- THE GATEWAY IS A BLUETOOTH® TRANSCIVER WHICH RELAYS DATA SENT BY ALL SMART COMMAND INTELLIGENT FIXTURES WITHIN 8M RANGE*
- GATEWAY CONNECTS TO BMS VIA CONCENTRATOR THROUGH BUILDING CABLING INFRASTRUCTURE (ETHERNET) USING MQTT MESSAGING PROTOCOL.
- INSTALLED TO THE CEILING, WALL OR WITHIN THE ROOF CAVITY
- BUILT IN, UPGRADABLE FIRMWARE FOR CONFIGURATION OF GATEWAY
- HOSTS UP TO 25 SMART COMMAND DEVICES
- MORE THAN ONE GATEWAY MAY BE REQUIRED FOR LARGER BATHROOMS
- COMPLETE WITH POWER SUPPLY

**Bluetooth® signal strength is subject to surrounding surfaces such as masonry and other substrates in the bathroom area*

Part Number

410100	Caroma Smart Command Gateway Bluetooth®
--------	---

Electronics:	Supply voltage to the system is 240V AC 50Hz. Operating current 5 volts DC. (micro USB) Supplied.
Installation:	Can be installed in a new or existing bathrooms with intelligent devices with wall and ceiling mounts provision. Requires 240VAC Power Outlet & Ethernet Data point (Male RJ45, CAT 5e cable)
Dimensions:	All dimensions are in millimetres and are subject to normal manufacturing tolerances. Caroma pursues a policy of continuing improvement in design and performance of its products. The right is therefore reserved to vary specifications without notice.

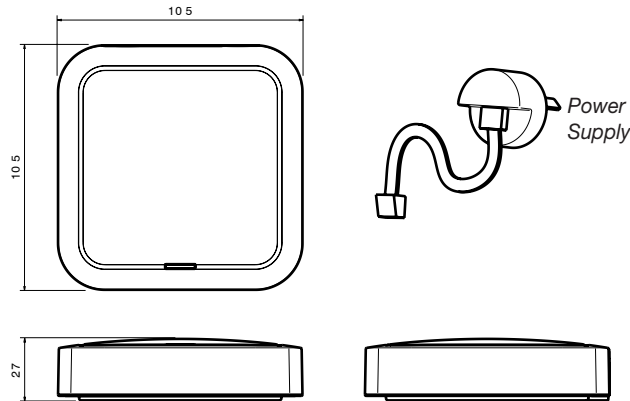


Figure 1: External Dimensions

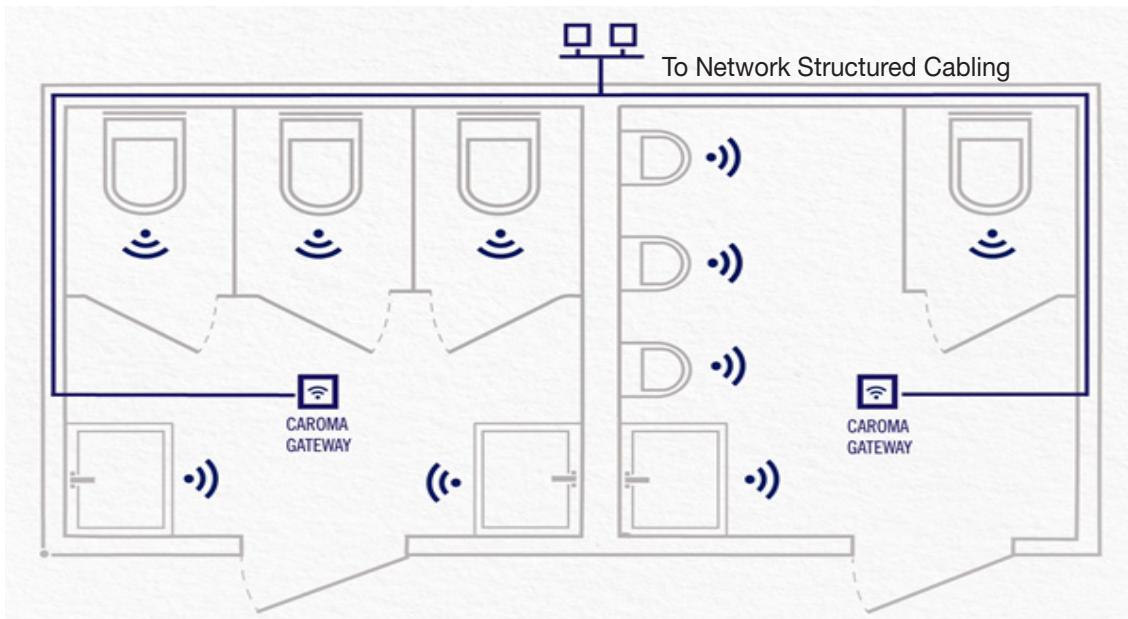
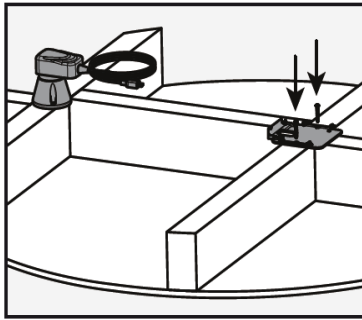
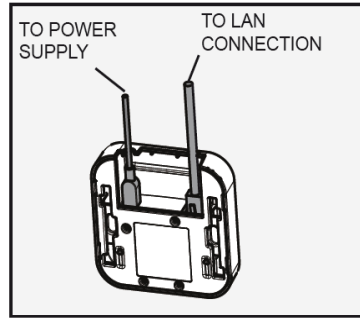


Figure 2: Typical Gateway locations

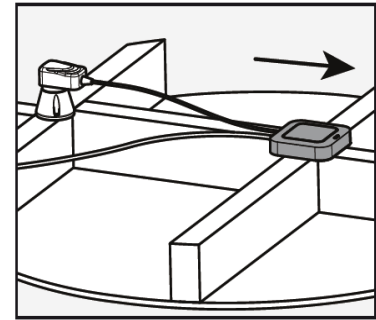
Inceiling Installation



1. Install mounting bracket to ceiling joist with 4g pan head screws. Ensure power point is within 1.4m of gateway hub.

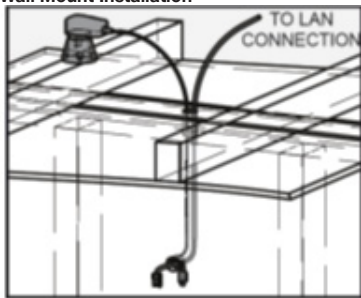


2. Connect Power Supply and Cat5e cable to gateway. Run Cat5e cable to LAN connection.

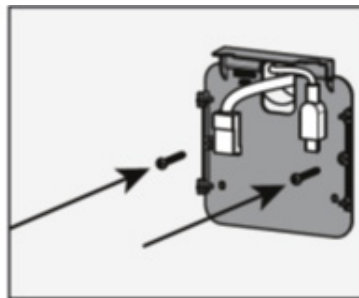


3. Connect gateway to mounting bracket and lock into position.

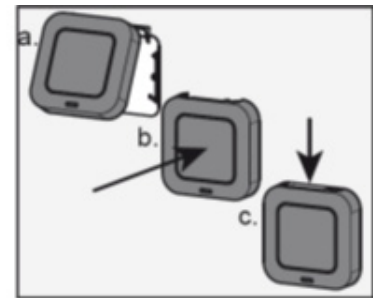
Wall Mount Installation



1. Install over pint within 1.4m of gateway. Run power and Cat5e cable through 25mm wall hole. Trim and conduit flush with wall.



2. Attach mounting bracket to wall using 4g pan head screws.



3. Connect power and Cat5e cable into gateway. Engage gateway onto mounting bracket and slid down to lock.

Figure 3: Installation Instructions



SMART COMMAND Technical Data Gateway - Bluetooth®

Dimensions	H: 105mm x L: 105mm x D: 30mm
Weight	100g
Power Supply	Plug Type: 5VDC Micro USB PPower supply (supplied)
Power Consumption	Max. 100mA
Plug Pack Input	240 VAC 50/60 Hz
Plug Pack Output	5VDC
Ambient Temperature	0°C...60°C
BMS Connection Type	BMS connection via Caroma Smart Command Concentrator (410101) or directly via MQTT
Network Connectivity	Cat5e Cable: Female RJ45 connector.
Communication Protocol	Bluetooth 4.0 to Smart Command Devices, MQTT over Ethernet to building network
Default IP Address	Configurable (DHCP) or advise at order placement for preconfiguration
Power Supply EMC Approvals	CE, C-Tick and FCC
Power Supply Safety Approvals	RCM, UL, CUL, TUV, GS, SAA, CE and CB
Power Supply Safety Compliance	AS/NZS 60950, UL 60950, EN 60950, IEC 60950
ROHS Compliance	EN50581:2012
EMC Compliance	EN 301 489-1 V2.1.1, EN 300 328 V2.1.1, EN623111, EN62368-1:2014, AS/NZS CISPR 32:2015 (ITE Class B)
Electrical Safety Compliance	IEC 60950-1, UL 60950-1, CSA C22.2 60950-1
Complies with EC Directives	RoHS2 Directive 2011/65/EU, Waste Electrical and Electronic Equipment (WEEE) Directive 2002/96/EC, Registration, Evaluation, Authorisation and Restriction of Chemicals (REACH) Directive, Conflict Minerals Directiv
Packaging	Dimensions: H: 250 mm x L: 350 mm x D: 100 mm Weight: 900 g Quantity: 1