

Care 400

Sanitary Facilities - Access and Mobility 4.5/3 litre Toilet Suite



A contemporary designed 4.5/3 litre dual flush **Care 400** toilet suite installation designed to provide a raised seat height of between 460-480mm for accessible applications . The pan features a concealed trap which facilitates easy cleaning. The versatility of the **Care 400** toilet suite makes it ideal for use by both the ambulant people with disabilities and wheel-chair users including wheeled commode chairs.

Important: Further reference must be made to **AS 1428.1-2009 with current amendments to determine circulation space, grab rail and installation requirements. The dimensions in this sheet may change with amendments to the standard.**

Pan: Trident Concealed Trap Care pan 4.5/3 litre full flush washdown type.

Traps: S-trap unvented only Code No.606310.

Inlet: 50mm back inlet.

Cistern: Sovereign 4 Star Cistern (wall fix version).
Important: Working pressure minimum 30kPa to maximum 1000kPa flow pressure. Rain water tank compliant.

Buttons: Round Care Button - Metal (supplied). Other button options sold separately. See section 16.01 for further details

Inlet Valve and Overflow: Standard Bottom Entry Cistern - available as right hand inlet which is interchangeable and incorporates Quietflow inlet valve. Internal overflow only.

Seats: Caravelle Care seat supplied, available in Caroma White (W), Sorrento Blue (SB) and Anthracite Grey (AG). See Section 15 - SEATS for further details. Reference to AS1428.1-2009 must be made in regards to luminance contrast when selecting the seat colour.

Position of the Pan: For wheel chair access the installed pan must be a minimum of 800 ± 10mm from the front of the pan to the finished wall and provide a seat height of 460 to 480mm. The projection requirements for people with ambulant disabilities is 610 to 660mm (refer to page 13.08).

Position of the Cistern: The underside of the cistern must be 600mm minimum from the finished floor. The push button height must be no greater than 1100mm from the finished floor.

Colours: White only.

Installation: The installation of the toilet suite shall be in accordance with the normal minimum drainline grade requirements in AS/NZS 3500.2.

Dimensions: All dimensions are in millimetres and are subject to normal manufacturing variations. Caroma pursues a policy of continuing improvement in design and performance of its products. The right is therefore reserved to vary specifications without notice.

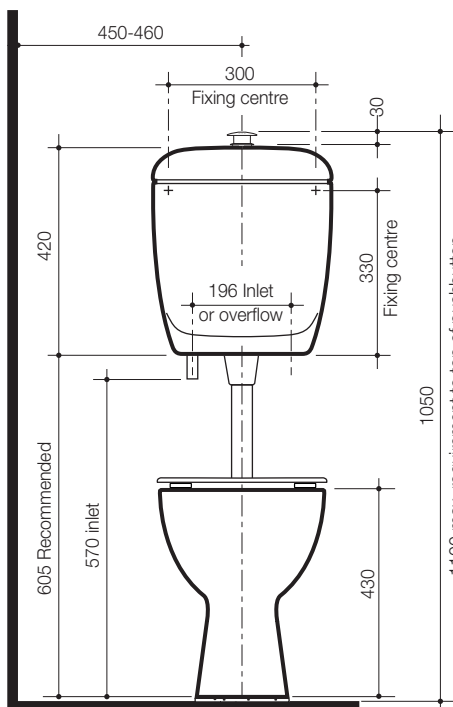
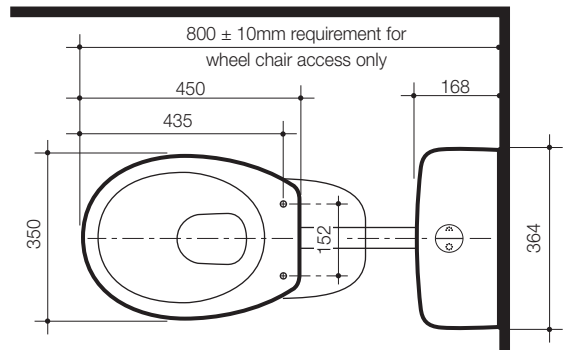


Note: The projection requirements detailed on this illustration are for wheel chair access only. The projection requirements for people with ambulant disabilities is 610 to 660mm.

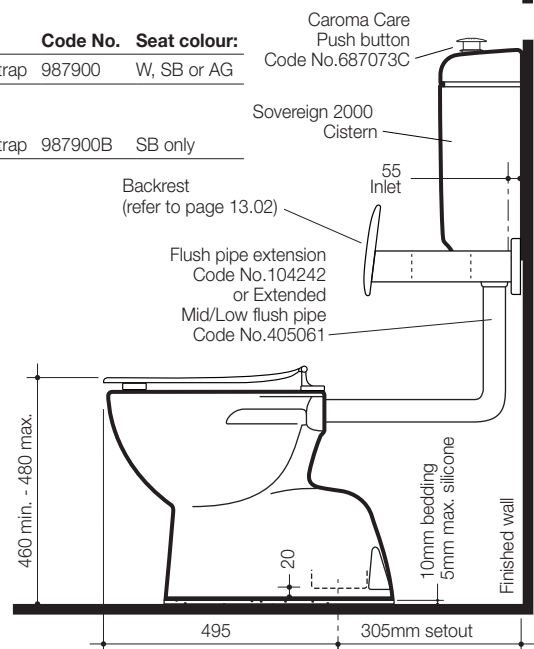
All height dimensions to underside of pan, make allowance for mortar bedding.

Mortar bedding: The pan should be fixed to the floor with a sand cement mixture of 3:1 to a depth of 60mm. When bedded the back of the foot of the pan should be approximately 10mm above the finished floor.

Screw fixing: The pan should be bedded with an acetic cured silicone sealant and fixed with corrosion resistant screws and pan guard washers. Use Caroma pan fixing kit. Code No.601150.



Care 400 Toilet Suites with Caravelle Care Seat		Code No.	Seat colour:
Single Flap	S trap	987900	W, SB or AG
Single Flap, Backrest Curved Arm Included	S trap	987900B	SB only



* Reference must be made to the AS 1428.1-2009 Amd 1 to confirm installation requirements.