



COOLIBAH CONTEMPORARY ACCESSORIES

CAROMA

INSTALLATION INSTRUCTIONS

Important Information:

- * Wall anchor (1) is only suitable for use in cavity walls with a tiled surface. If installing into a plasterboard cavity wall (untiled) it is recommended that the accessory be attached to the wall in line with a stud or noggin using suitable screws.
- * For cavity wall applications, the total wall thickness must be 12-18mm when using the supplied wall anchor.
- * Before drilling check position of towel rails and metal shelf to ensure the fixing plates are horizontal.
- * To prevent drill from wandering on tiled surface it is recommended that masking tape be applied before drilling.
- * Distance between centres of fixing plates with holes:
 - For 630mm Towel Rails : $600 \pm 1\text{mm}$ - For 930mm Towel Rails : $900 \pm 1\text{mm}$.
 - For Metal Shelf : $384 \pm 1\text{mm}$ - For Hand Towel Rail : $265 \pm 1\text{mm}$.
- * Do not use accessories for personal support.
- * Over time, the mounting screws used to install the product may be affected by exposure to water, which may cause the screws to rust and loosen. You should periodically check that your accessory is fastened securely to the wall.

Installation

A) DETERMINE WALL TYPE:

Solid Walls: - (Brick, masonry blocks, concrete etc)

- i) Drill holes 6 mm diameter, 40mm deep.
- ii) Insert rounded end of wall plugs (2) into drilled holes and push in until flush with the wall surface.
- iii) Fit screws (4) through holes in fixing plates (3) before inserting into wall plugs (2). Ensure orientation of fixing plates is as pictured.
 - Note:** For Robe Hook, fixing plate (3) to be rotated 90 degrees.
- iv) Tighten screws (4).
- v) For Towel Rails and Metal Shelf: Check alignment of both fixing plates before tightening screws (4).

Tiled Cavity Walls: -(Plasterboard/tile, fibre cement sheet/tile)

Note: Total wall thickness must be between 12-18mm when using the supplied cavity wall anchor.

- i) Drill holes 8mm diameter.
- ii) Flatten barbs on head flange of wall anchors (1). Insert the wall anchors (1) into the drilled holes until the head flange is against the wall surface.
- iii) Fit the wall anchor M4 screws (5) with washers (6) through holes in fixing plates (3) before screwing them into installed wall anchors. Ensure orientation of fixing plates is as pictured.
 - Note:** For Robe Hook, fixing plate (3) to be rotated 90 degrees.
- iv) Tighten screws (5).
- v) For Towel Rails and Metal Shelf: Check alignment of both fixing plates before tightening screws (5).

Untiled Cavity Walls:-(Plasterboard)

- i) Determine a suitable position to attach fixing plates (3) so that they can be fixed to a stud or noggin in the wall. Ensure correct orientation of fixing plates.
 - Note:** Robe Hook fixing plate (3) will need to be rotated 90 degree's compared to other accessories.
- ii) Fit screws (4) through holes in fixing plates (3) and screw directly into stud or noggin.
 - For Towel Rails and Metal Shelf: Check alignment of both fixing plates (3) before tightening screws.

- B) Loosen the fixing screws (8) on the accessory using Allen key (9) provided. Install accessory (7) onto fixing plates (3), making sure that grub screws (8) are located underneath as shown. With accessory resting securely against wall surface, tighten the fixing screws (8) using Allen key provided (9).**

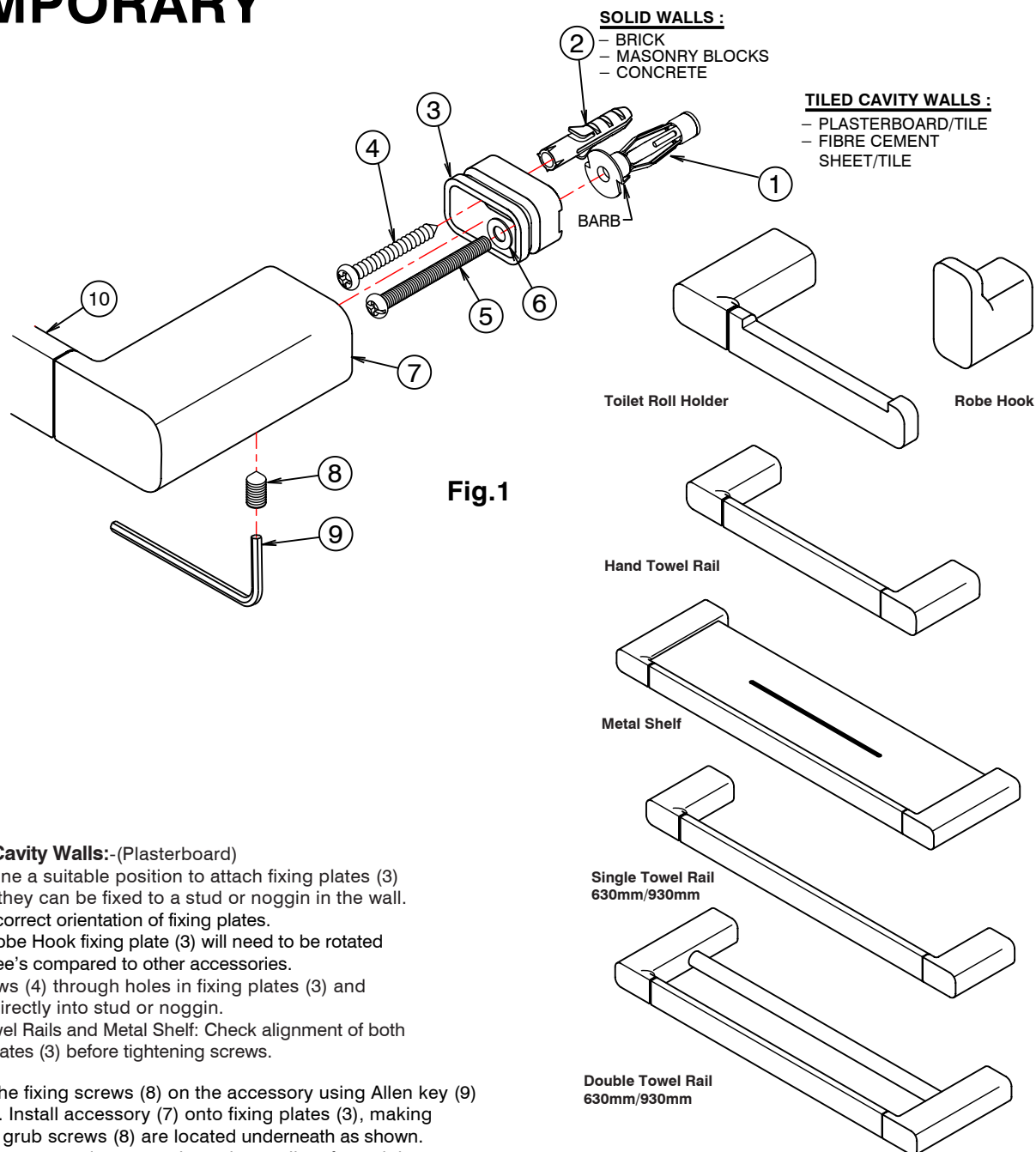


Fig.1