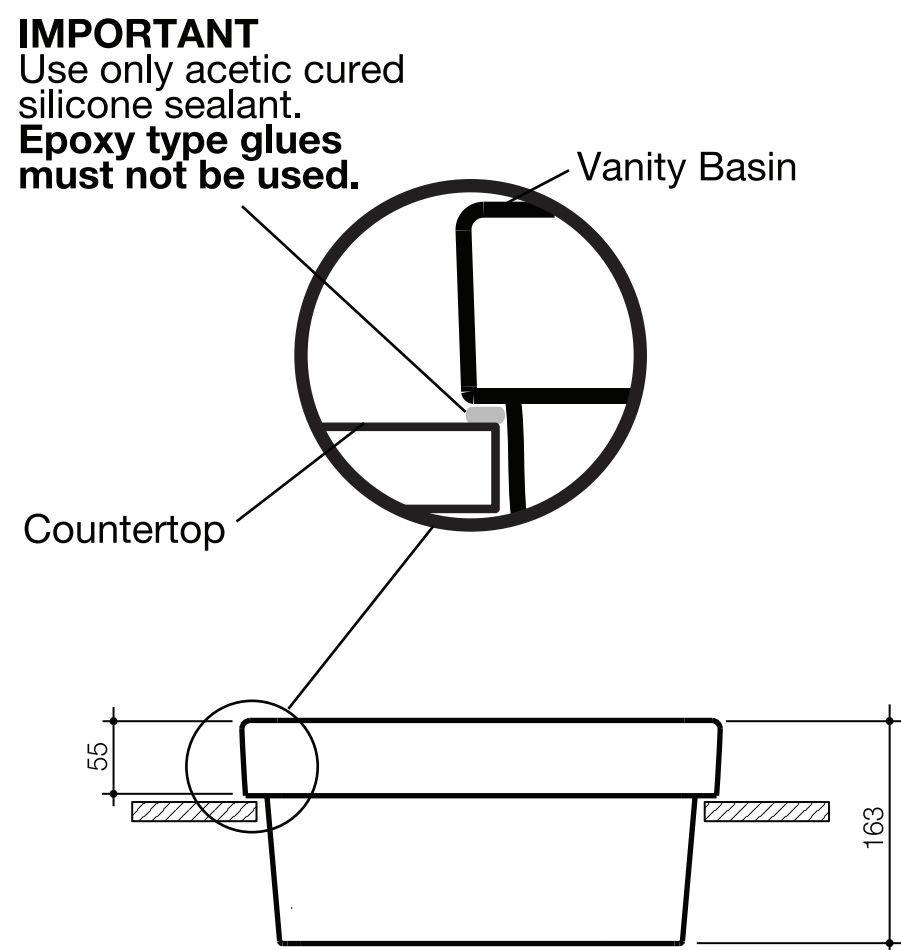


C L  $\Delta$  R K

# Clark Square 350

Vitreous China

Inset Basin



## Installation Instructions

1. Position template over countertop.
2. Attach template cut-out guide to countertop with adhesive tape or otherwise transfer cut-out line to countertop.
3. Drill  $\text{\O}20\text{mm}$  holes and use as jigsaw starter.
4. Fit taps and waste assembly to basin.
5. Clean underside of the sealing rim and fitting face of basin that comes into contact with the countertop to ensure both are free of dust, dirt and grease.
6. Apply a layer of acetic cured silicone sealant around the sealing rim and fitting face of the basin.  
**Important:** do not use epoxy sealants.
7. Bed the basin on the countertop.
8. Connect waste assembly to the trap.
9. Clean excess of silicone sealant around basin.