

WATER EFFICIENT TAPWARE

PLUMBERS INSTALLATION INSTRUCTIONS**Important Information**

- * For warranty details refer to www.clark.com.au
- * Trim kit (1-5), body kit (6-10) & outlet (11-12) are sold separately.
- * **HOT & COLD WATER INLET PRESSURES MUST BE EQUAL.**
- * **Not suitable for gravity feed systems.**
- * **Basin outlet is fitted with a flow regulated aerator insert. This low flow rate may not be suitable for connection to some Instantaneous Gas Water Heaters, some Tempering Valves, some Solar Water Heaters & some Thermostatic Mixing Valves.**
Check with the manufacturers of these products. For applications where flow regulation is not suitable (e.g. bath) a full flow aerator insert has been provided within the packaging. To convert the basin outlet to a bath outlet, refer to 'Removing Aerator Insert'
- * **Brazed connections should NOT be made directly onto the mixer, as excessive heat will cause permanent damage.**
- * **All pipework must be thoroughly flushed prior to installation, as foreign materials may block the flow regulating device and reduce the flow of water.**

Installation (Fig. 1&2)

- 1) *Body kit:* Fit mixer body assembly (9+10) onto a suitable mounting plate or noggin in the wall and secure using screws through the holes in its base. When facing the mixer, the connections should be as follows (Fig.2):

Hot water inlet connection 'H' below mixer cartridge.
Cold water inlet connection 'C' to the right of mixer cartridge.
Mixed water outlet connection, to the left of mixer cartridge.
Check all connections for leaks and the tap for correct operation.

Important :

- * Mixer body (9+10) must be installed square to wall/tile face and horizontal to ensure cover plate (5) aligns with finished tile joints.
 - * To avoid damaging the decorative finish, do not remove the plastic protective sleeve until installation has been completed.
- 2) *Trim kit:* Carefully fit the cover plate (5) onto the mixer body (9), push firmly on the cover plate (5) until it contacts the wall/tile face. Check the cover plate for horizontal alignment with the tile joints. Apply thread tape to the thread of wall elbow (10).
Important: Care must be taken that thread tape cannot become dislodged and block the flow regulating device, causing a reduction in water flow.

- 3) Fit handle (1) taking care that it is pushed fully onto cartridge stem, tighten screw (2) using the 2.5mm allen key (3) then fit plug (4).
- 4) Carefully screw the outlet (11) onto the thread of elbow (10) until the threaded end abutts the cover plate (5) and the aerator insert (12) is pointing down as shown, taking care not to damage the decorative finish. **DO NOT OVERTIGHTEN.**
- 5) Turn on Hot and Cold water supplies and check operation.

Replacing Cartridge (Fig. 1)

- 1) Turn off hot and cold water supplies.
- 2) Carefully remove plug (4) before using a 2.5mm allen key (3) to loosen grub screw (2) and remove handle (1). Remove cap (6) taking care not to damage the decorative finish. Unscrew nut (7) then lift out old cartridge (8).
- 3) Ensure inside face of mixer body (9) is clean. Check that seal is in position in base of new cartridge (8). Fit new cartridge (8) into mixer body (9), taking care that two lugs on base of cartridge (8) fit into mating holes in mixer body (9).
- 4) Screw on nut (7). **Important:-** Nut (7) should be tightened to a torque of 10 Nm.
- 5) Fit handle (1) taking care that it is pushed fully onto cartridge stem, then tighten grub screw (2) using the 2.5mm allen key (3). Replace plug (4), taking care not to damage the decorative finish.
- 6) Turn on water supplies and check operation.

IMPORTANT**Pressure & Temperature Requirements.**

- Hot and cold water inlet pressures should be equal.
- Static inlet pressure range : 150-1000 kPa
New Regulation:- 500 kPa maximum static pressure at any outlet within a building. (Ref. AS/NZS 3500.1)
- Maximum hot water temperature : 80°C.

Removing Aerator Insert (Fig.4)

- 1) Aerator insert (12) can be removed with spanner (13) provided.
- 2) Deposits of lime can be removed by washing in a vinegar solution.
- 3) When replacing aerator insert (12), be careful that thread is engaged correctly and 'O' ring is not damaged as it enters the bore. Tighten securely (to prevent removal by hand) using spanner (13).

ROUND BLADE - WALL BASIN/BATH MIXER

WATER EFFICIENT TAPWARE

PLUMBERS INSTALLATION INSTRUCTIONS

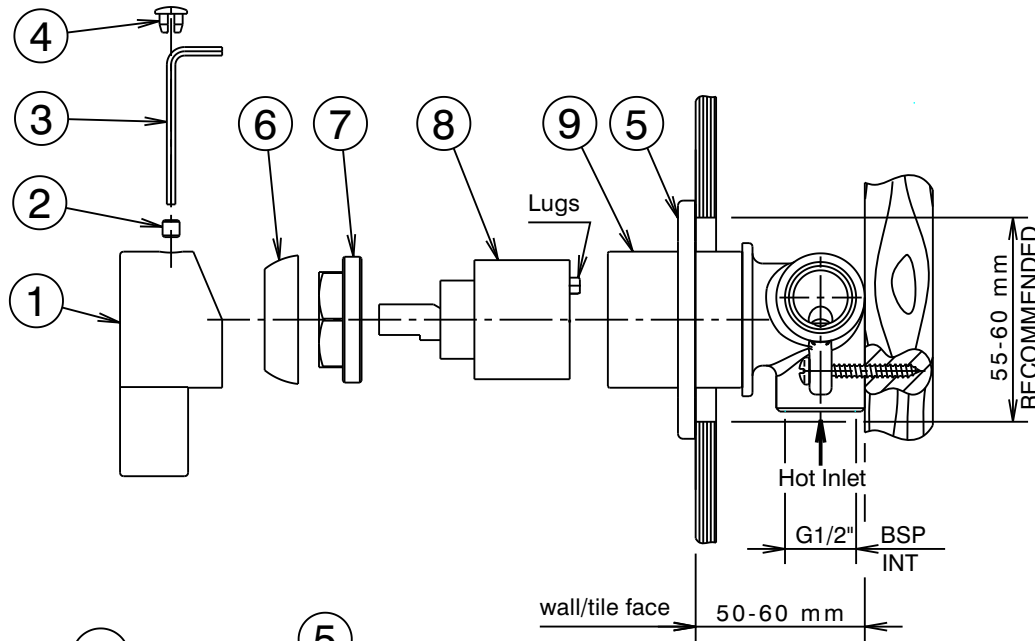


Fig. 1

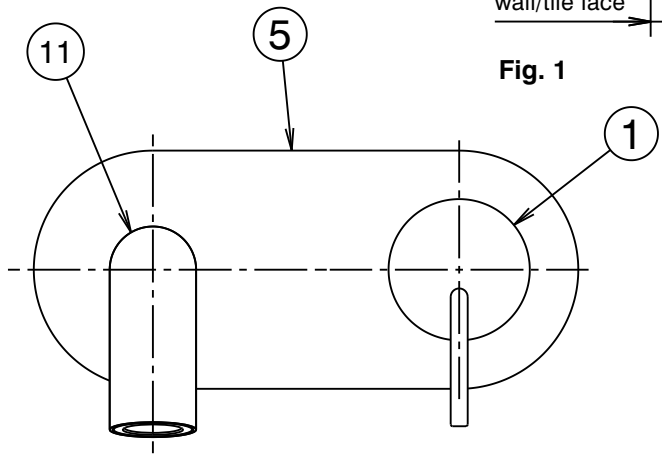


Fig. 3

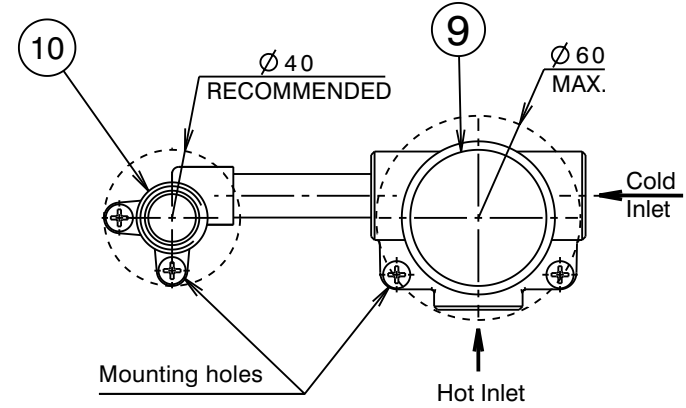


Fig. 2

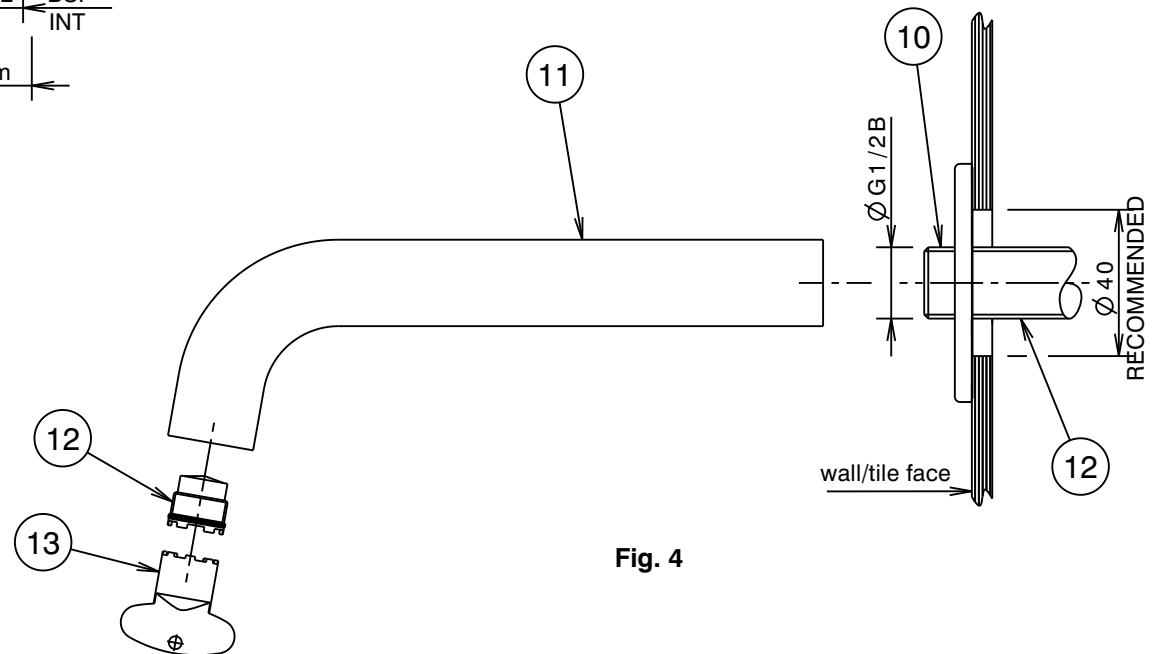


Fig. 4