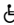


# Clinic 600

## Ceramic Wall Basin

**Basin Size:** 600mm x 455mm (nominal).

**Basin Capacity:** 15 litres.

The **Clinic 600** basin is an integral trap basin that conceals fittings and features an anti-splash rim. The basin is designed for infection control with easy to clean surfaces. The basin also has a slight gradient on the tap landing to allow effective water run off and a vandal resistant grate. Ideal for wall mounted tapware. The basin is suitable for domestic, commercial and  accessible applications (refer to Caroma Care Wall Basin section).

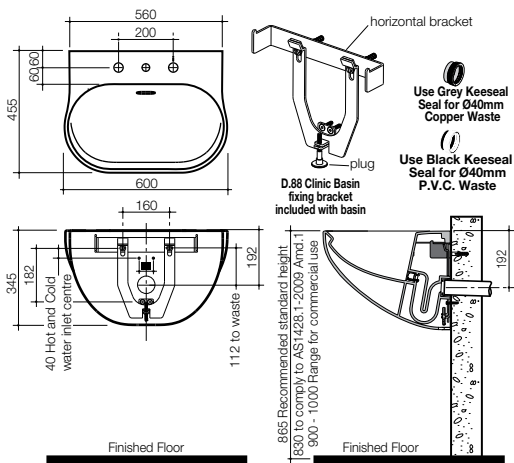
**Tap Holes:** Basin available in no taphole, one taphole (centre) and three taphole options.

**Overflow:** Overflow not available.

**Fixing:** **Clinic Basin Fixing Kit – Supplied.** Concealed bracket bolts directly to the finished wall. (For non structural wall ensure suitable support is behind the wall)

**Installation:** Refer to *Important Information for Plumbers* section.

**Colours:** White only.



Stainless steel vandal resistant grate included.