



COOLIBAH CLASSIC CROSS - WASHING MACHINE TAP SET

CAROMA

PLUMBERS INSTALLATION INSTRUCTIONS

Important Information

- * All pipework must be thoroughly flushed prior to installation.
- * Turn off hot and cold water supplies before installation.

Installation

- 1) Check that threaded nipple (2) is the correct length, as shown. Cut to length if required ensuring end face is square. Apply thread tape to the thread.
- 2) Place the cover plate (1) over the threaded nipple (2). Screw the tap body (3) onto the threaded nipple (2) and position as required. DO NOT OVERTIGHTEN.
- 3) Fit handle assembly as follows:
 - i) Turn both spindles to the fully closed position.
 - ii) Place retaining nut (6) over spindle (4), with slot facing wall.
 - iii) Place retaining clip (7) into groove at bottom of spline in spindle (4). Ensure handle insert (8) is in position in handle (9).
 - iv) Fit handle (9) to spindle (4), position to suit. Push handle (9) firmly down until it bottoms internally.
 - v) Screw retaining nut (6) into handle and tighten using spanner (5) provided.

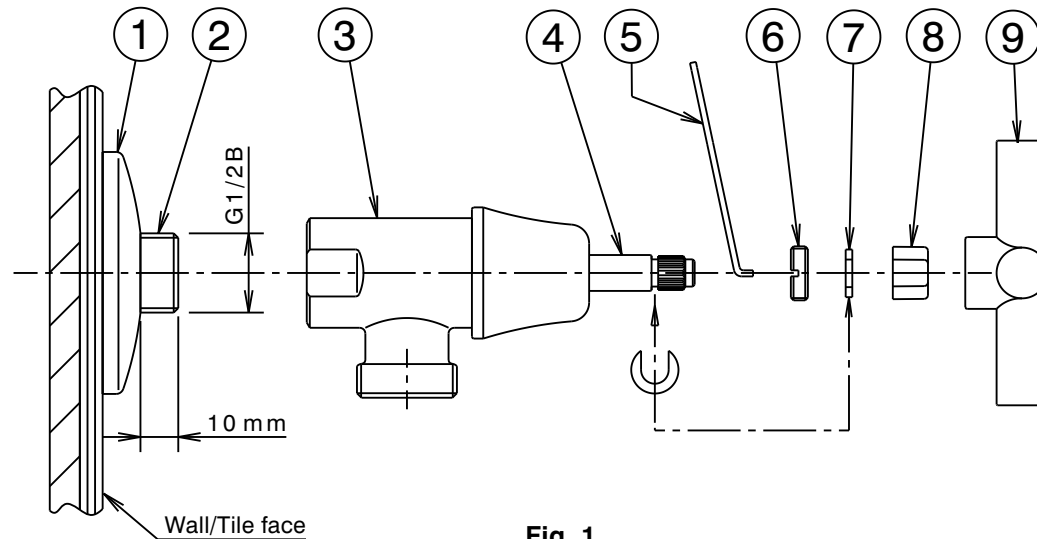


Fig. 1

IMPORTANT

Pressure & Temperature Requirements.

- Hot and cold water inlet pressures should be equal.
- Inlet pressure range : 150 -1000 kPa
New Regulation: 500 kPa maximum static pressure at any outlet within a building. (Ref. AS/NZS 3500.1)
- Maximum hot water temperature : 80°C.