



CARAVELLE LEVER - HOB SINK SET

WATER EFFICIENT TAPWARE

CAROMA

PLUMBERS INSTALLATION INSTRUCTIONS

Important Information

- * Not suitable for gravity feed systems.
- * Hob sink outlet is fitted with a flow regulated aerator insert. This low flow rate may not be suitable for connection to some Instantaneous Gas Water Heaters, some Tempering Valves, some Solar Water Heaters & some Thermostatic Mixing Valves. Check with the manufacturers of these products.
- * Isolating stop taps are recommended to be fitted to the inlet connections. (Part No: 842018C - Mini cistern 1/4 T)
- * 3 handles are provided to indicate cold, hot & tempered water supplies. Discard the handle not required.
- * All pipework must be thoroughly flushed prior to installation, as foreign materials may block the flow regulating device and reduce the flow of water. Note: Aerator insert housing must be retightened to prevent removal by hand.

Installation

- 1) Measure centre distance between tap body holes in deck, cut breach piece (17) to required length. (As a guide, subtract 30mm from centre distance of tap body holes to obtain breach piece (17) tube length).
- 2) Screw nut (19) fully down onto spigot (18) of breach piece (17). Apply thread tape to the thread of spigot (18). Place washer (20) onto nut (19). Fit compression nuts (16) and olives (15) to each end of breach piece (17), connect to tap bodies (14) and tighten compression nuts (16) slightly.
- 3) Fit one locknut (12) and one washer (13) to each tap body (14). Install assembly into deck ensuring spigot (18) on breach piece (17) protrudes through centre hole in deck. Fit remaining washer (13) and locknut (12), adjust locknuts (12) so that the tap bodies (14) protrude 5mm above the deck and tighten.
- 4) Tighten compression nuts (16) on the breach piece (17).
- 5) To install ceramic disc cartridges (10), first identify cartridge spindle rotation by seal (11) colour. Hot Tap: use normal rotation cartridge (red seal). Cold Tap: use contra rotation cartridge (blue seal).
- 6) Remove locknut (8), cap (9) & fibre washer from cartridge (10). Screw cartridge (10) into tap body (14). Using a suitable spanner, tighten cartridge (10) until it comes to a firm stop. (DO NOT TIGHTEN CARTRIDGE USING SPINDLE) Fit fibre washer & then locknut (8) and tighten using a suitable spanner.
- 7) Ensure handle insert (2) is in position in handle (1). With cartridge spindles in the fully closed position, position handles (1) as shown in Fig.2 before pushing handle (1) fully onto spindle (7). For small adjustments to handle positions, cartridge (10) can be rotated slightly in an anti-clockwise

IMPORTANT	
Pressure & Temperature Requirements.	
•	Hot and cold water inlet pressures should be equal.
•	Static inlet pressure range : 150 -1000 kPa New Regulation: 500 kPa maximum static pressure at any outlet within a building. (Ref. AS/NZS 3500.1)
•	Maximum hot water temperature : 80°C.
Deck Requirements	
•	Centre distance between tap body holes :120-256mm
•	Deck thickness : 25mm maximum
•	Tap body holes (in deck) : Ø34-36mm
•	Tap outlet hole (in deck) : Ø22-25mm

direction until handles are aligned (Fig.2) before tightening locknut (8). Remove handles (1).

- 8) Screw on flanges (6) to each locknut (8) and tighten securely by hand, taking care not to damage decorative finish.
- 9) Fit handle assembly as follows:-
 - i) Turn both spindles (7) to the fully closed position.
 - ii) Place retaining nut (4) over spindle (7), with slot facing down.
 - iii) Fit retaining clip (3) into groove at bottom of spline in spindle (7).
 - iv) Ensure handle insert (2) is in position in handle (1). Fit handle (1) to spline of spindle, position handle as before then push firmly down until it bottoms internally. **Note:** Water supplies are indicated by the following handle colours. Blue = Cold, Red = Hot, Yellow = Tempered. Discard the handle not required.
- 10) Screw nut (18) with washer (19) by hand until it meets the underside of deck. Screw outlet (21) with seal (20) onto spigot (17) of breach piece (16) and tighten fully (by hand). If necessary adjust nut (18) so that when the outlet (21) is tightened the swivel joint retaining screw is at the back

Removing Aerator Insert

- 1) Carefully remove aerator housing (23) from sink outlet (22), taking care not to damage the decorative finish.
- 2) Remove 'O'Ring (25) & aerator insert (24) from aerator housing (23). Check that aerator housing (23) is clean. Deposits of lime can be removed by washing in a vinegar solution.
- 3) Fit aerator insert (24) into aerator housing (23) followed by O'Ring (25) then screw assembly into sink outlet (22) and tighten securely (to prevent removal by hand).

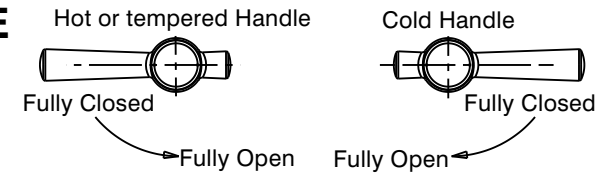
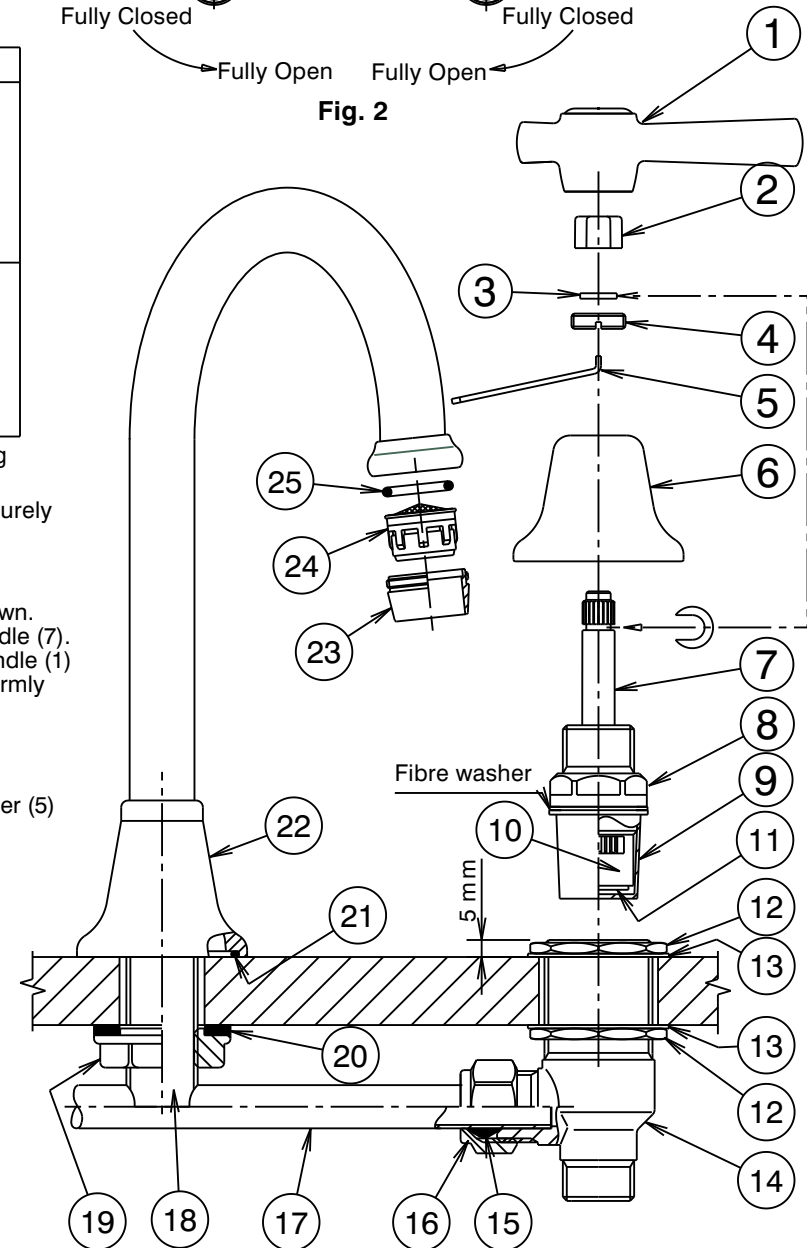


Fig. 2



IS1717A(08/17)