

Semi-recessed vitreous china vanity basin

SfB Code

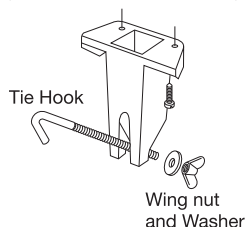
	(74.2)		
--	--------	--	--



The Regent semi-recessed vanity basin is a 555mm wide basin crafted from high-density vitreous china. The basin features a generous bowl with smooth tap and shelf area for easy cleaning. The semi-recessed style of basin is fixed to the vanity top so that the bowl extends out from the vanity top. It has a modern distinctive design to compliment other products in the Regent range.

Installation guidelines

A full-size cutout template is provided with each basin. The basin is sealed to the counter-top with acetic cured silicone sealant and two fixing brackets included (bracket number 687186).



Semi-recessed vitreous china vanity basin

Features

- ◆ modern distinctive design to match the Regent range.
- ◆ large generous bowl.
- ◆ smooth tap and shelf area for easy cleaning.

Capacity

5 litres to overflow.

Tap Holes

Available with one or three tap holes.

Waste Outlet

Flush fitting uni plug and waste included.

Shown above with chrome plated waste. Available as standard late 2010.

Overflow

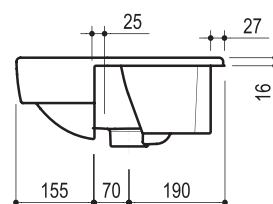
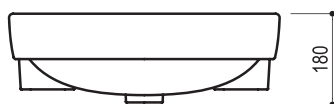
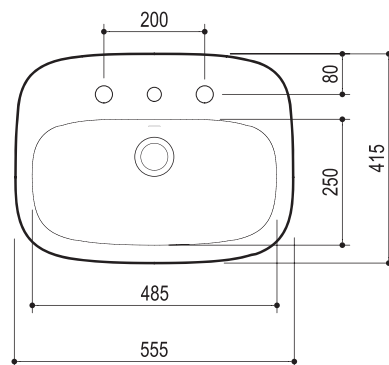
Overflow available only.

Colours available

White.

Product codes

1 tap hole (863715), 3 tap holes (863735).



Dimensions are in mm and subject to normal manufacturing tolerances. The manufacturer reserves the right to alter specifications without notice.

Drawing Scale 1:15