

# Caroma®

CI/SfB	(74.2)	g3
Date	October 2016	

Supersedes all previous issues

## Faun

**Vitreous China Wall Basin**

Nominal Size: 450mm x 355mm

# 1.11.1



### Vitreous China Wall Basin

Basin Size: 450mm x 355mm (nominal)

### Vitreous China Shroud



A contemporary design compact sized basin featuring a functional bowl with smooth contours for ease of cleaning. The **Faun** basin has two soap holders and is the smallest in the range of three basins which co-ordinate with the option of a shroud offering the designer greater flexibility. The basin is suitable for general purpose domestic and commercial applications.

**Tap Holes:** Basin available in: No taphole option white only Code No.640200; one taphole – centre option Code No.640210; three taphole option Code No.640230.

**Waste Outlet:** The basin has been designed for the Caroma Uni-waste outlet suitable for a 40mm trap connection. Coloured plastic flush fitting Uni plug and waste supplied. For applications where a chrome plated brass waste is required there are four suitable Uniwastes available in the following options — Flush Fitting Plug and Waste Code No.687140, Vandal Resistant Flush Fitting Plug and Waste Code No.687141, Covered Plug and Waste Code No.687142 and Vandal Resistant Covered Plug and Waste Code No.687143.

**Shroud:** Shroud, Code No.651350. Accurate setout and use of recommended traps is essential for optimum installation. P-trap – 40mm standard Caroma plastic P-traps Code No.102112. Fixed to basin with D.210 fixing clip for use only with D.200 bracket. **Note:** It is essential for the installation of the shroud to the basin that clearance is provided for the shroud in the plumbing setout from water inlet pipes and connections.

**Bowl Capacity:** 8 litres.

**Overflow:** Overflow not available.

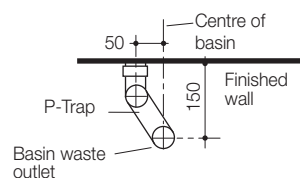
**Fixing:** **D.200 Basin Fixing Kit** – Supplied. Bolts directly to the finished wall.

**Colours:** White only.

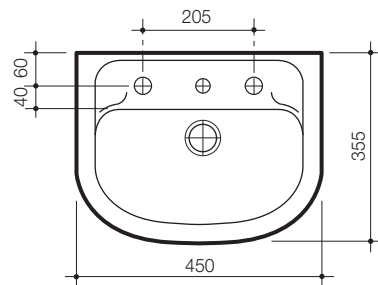
**Specification:** To specify use product code numbers. See Specifications Section 1 for further information.

**Dimensions:** All dimensions are in millimetres and are subject to normal manufacturing variations. Caroma pursues a policy of continuing improvement in design and performance of its products. The right is therefore reserved to vary specifications without notice.

#### P-Trap Setout for Shroud



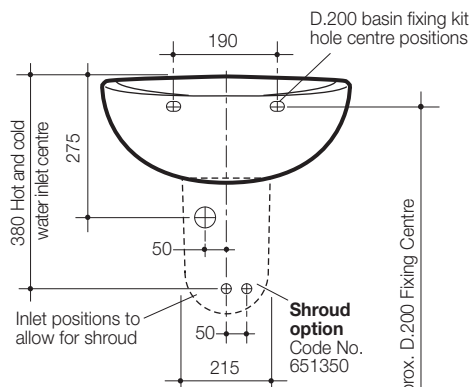
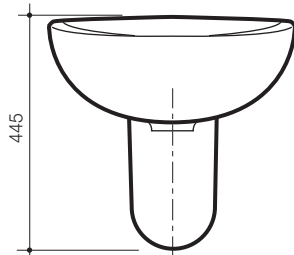
**Important: Accurate P-trap setout for shroud is essential**



**D.200 Basin Fixing Kit included with basin**



**D.210 Concealed Fixing Clip Assembly included with shroud**



**Shroud option Code No. 651350**

