

caroma®

Cubus Utility

Ceramic Wall Basin

Nominal Size: 550mm x 400mm

CI/SfB	(74.2)	g3
Date	March 2011	

Supersedes all previous issues

1.37.1



Cubus Utility

Ceramic Wall Basin

Basin Size: 550mm x 400mm (nominal)



The **Cubus Utility** wall basin offers a contemporary rectangular style with distinctive clean lines. This range adds timeless sophistication in any bathroom. The basin has been designed with a generous size bowl. The basin is suitable for domestic and commercial applications.

Tap Holes: Basin available in: No tap holes Code No.633605 and 1 tap hole Code No.633615.

Waste Outlet: The basin has been designed for the Caroma Chrome Waste which is suitable for a 40mm trap connection (supplied).
Alternative waste options are available — Flush fitting Chrome Waste Code No. 687327C, Vandal Resistant Flush Fitting Chrome Waste Code No.687141, Covered Chrome Plug and Waste Code No.687142 and Vandal Resistant Covered Chrome Plug and Waste Code No.687143.

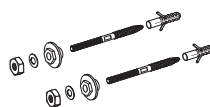
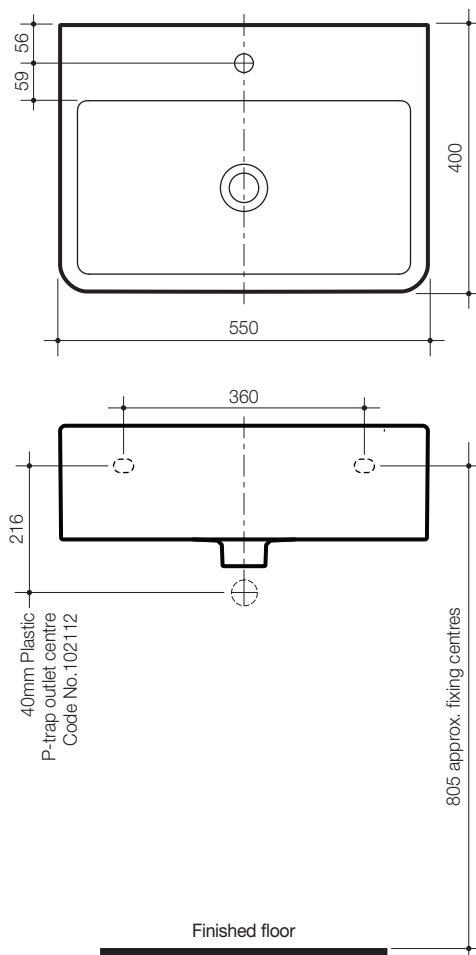
Bowl Capacity: 13 litres to overflow.

Overflow: Overflow available only. Designed for maximum tap flow rate of 15 litres/minute.

Fixing: **D.200 Basin Fixing Kit** – Supplied. Bolts directly to the finished wall.

Colours: White only.

Dimensions: All dimensions are in millimetres and are subject to normal manufacturing variations. Caroma pursues a policy of continuing improvement in design and performance of its products. The right is therefore reserved to vary specifications without notice.



D.200 Basin Fixing Kit
included with basin

