

caroma®

Clinic 600

Ceramic Wall Basin

Nominal Size 600mm x 455mm

CI/SfB	(74.4)	g3
Date	September 2010	

Supersedes all previous issues

7.09.1



Clinic 600

Ceramic Wall Basin

Basin Size: 600mm x 455mm (nominal)



The Clinic 600 basin is an integral trap basin that conceals fittings and features an anti-splash rim. The basin is designed for infection control with easy to clean surfaces. The basin also has a slight gradient on the tap landing to allow effective water run off and a vandal resistant grate. Ideal for wall mounted tapware. This basin is suitable for domestic, commercial and ♿ disabled applications.

Tap Holes: Basin available in: no tapholes Code No.632700, one taphole – centre option Code No.632710 and three taphole option Code No.632730.

Waste Outlet: Integral 'P' trap. Rubber keeseals are included to fit 40mm PVC and copper outlet pipe.

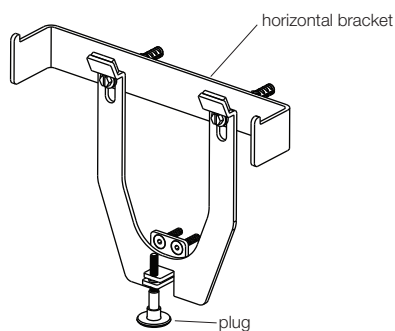
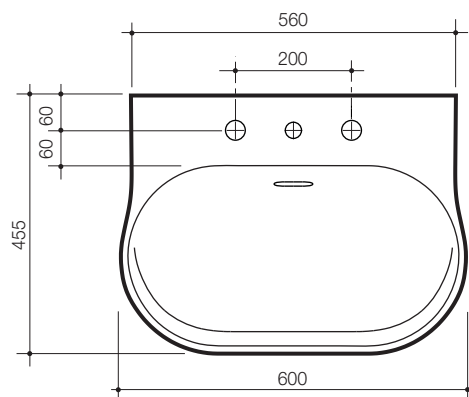
Bowl Capacity: 15 litres.

Overflow: Overflow not available.

Fixing: **Clinic Basin Fixing Kit** – Supplied. Concealed bracket bolts directly to the finished wall. (For non structural wall ensure suitable support is behind the wall)

Colours: White only.

Dimensions: All dimensions are in millimetres and are subject to normal manufacturing variations. Caroma pursues a policy of continuing improvement in design and performance of its products. The right is therefore reserved to vary specifications without notice.



D.88 Clinic Basin fixing bracket
included with basin



Use Grey Keeseal
Seal for Ø40mm
Copper Waste



Use Black Keeseal
Seal for Ø40mm
P.V.C. Waste

