

Symphony Mini Wall Basin Plumbers Installation Instructions

PLEASE READ CAREFULLY BEFORE INSTALLATION

SYMPHONY MINI WALL BASIN INSTALLATION

IMPORTANT

Provide suitable reinforcement behind finished wall for the basin/lavatory Fixing/Anchor Screws at the fixing height position.

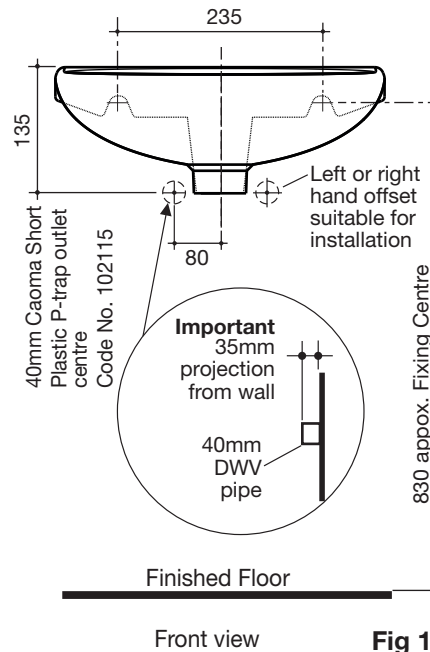
Roughing in for Fixing/Anchor Screw Kit :

For timber stud walls, noggins and studs must be positioned at a height to allow for the location of fasteners as detailed in **Fig 1**.

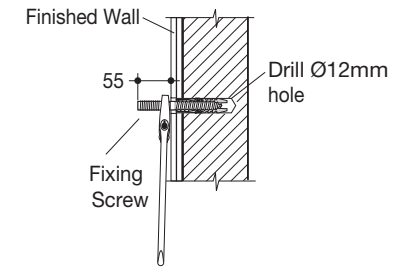
BASIN/LAVATORY INSTALLATION WITH FIXING/ANCHOR SCREW KIT

- 1- Mark fixing/anchor screw hole position on finished wall at the recommended height as detailed in **Fig 1**.
- 2- Drill two Ø12mm holes in masonry wall for expansion fasteners. For timber stud walls drill two Ø8mm holes for Fixing/Anchor Screws.
- 3- Insert expansion fasteners into the drilled holes in masonry wall. Screw Fixing/Anchor Screws into the wall using the flats located on the screws section of the stud and spanner as shown in **Fig 2**. Allow 55mm of thread to protrude from the finished wall.
- 4- Fit taps and waste assembly to the basin.
- 5- Locate basin/lavatory onto the Fixing/anchor screws on the wall. Insert plastic bushes, metal washers and fasten to wall with fixing nut to complete assembly as detailed in **Fig 3**.
- 6- Tighten fixing nuts and connect plumbing to complete the installation.

Fixing Positions Fixing Screw/Anchor Kit



Fixing/Anchor Screw Masonry Walls Installation



Fixing/Anchor Screw Timber Stud Walls Installation

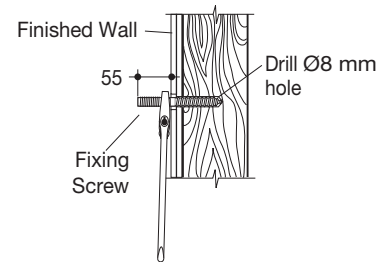


Fig 2

Fixing/Anchor Screw Kit Completed Installation

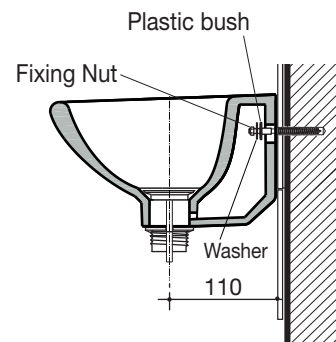


Fig 3

Basin Fixing/Anchor Screw Kit

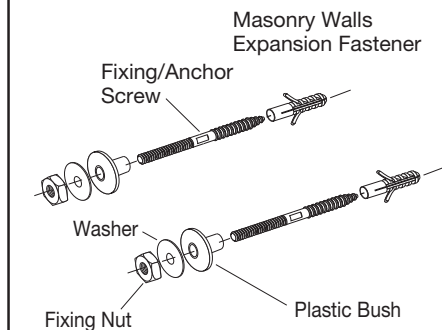


Fig 4