



KIP ACCESSORIES

INSTALLATION INSTRUCTIONS

Important Information:

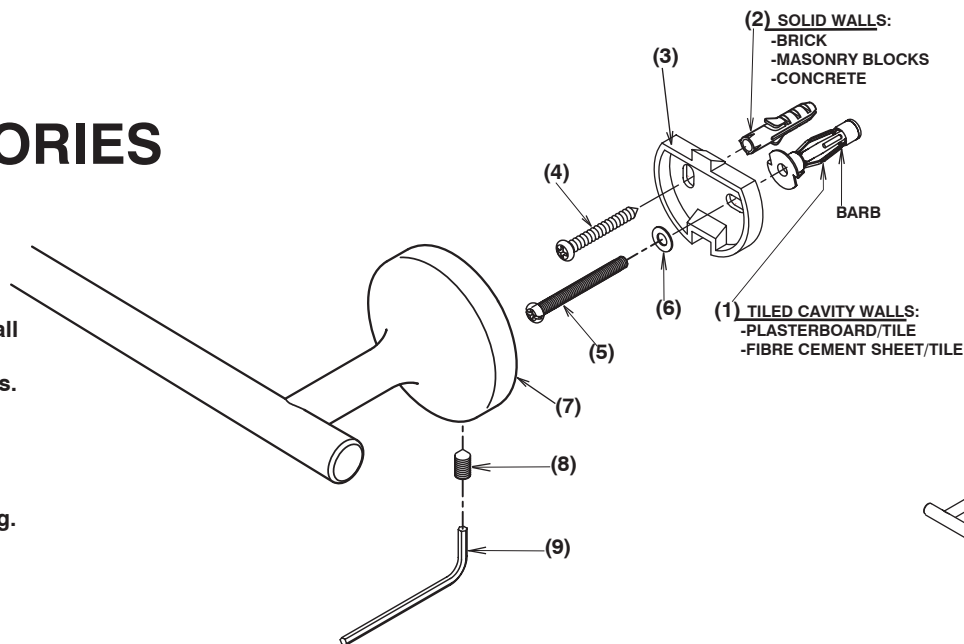
- * Wall anchor (1) is only suitable for use in cavity walls with a tiled surface. If installing into a plasterboard cavity wall (untiled) it is recommended that the accessory be attached to the wall in line with a stud or noggin using suitable screws.
- * For cavity wall applications, the total wall thickness must be 10-16mm when using the supplied wall anchor.
- * Ensure hole centres are horizontal before drilling.
- * To prevent drill from wandering on tiled surface it is recommended that masking tape be applied before drilling.
- * Distance between centres of fixing plates with holes:
 - For Towel Rail Single/Double : 762 ± 1 mm
 - For Glass Shelf : Mark centres of bases(7) with glass shelf resting against wall horizontally.
- * Do not use the Glass Shelf for personal support
- * Over time, the mounting screws which are used to install the product may be affected by exposure to water, which may cause the screws to rust and loosen. You should periodically check that your Glass Shelf is fastened securely to the wall.

Installation

- SOLID WALLS:** -(Brick, masonry blocks, concrete etc)
 - Drill holes 6 mm diameter, 40mm deep.
 - Insert rounded end of wall plugs (2) into drilled holes and push in until flush with the wall surface.
 - Fit screws (4) through holes in fixing plates (3) before inserting into wall plugs (2). Ensure orientation of fixing plates is as pictured.
 - Tighten screws (4).
 - For Glass Shelf/ Towel Rail: Check alignment of both fixing plates before tightening screws (4).
- TILED CAVITY WALLS:** -(Plasterboard/tile, fibre cement sheet/tile)

Note: Total wall thickness must be between 10-16mm when using the supplied wall anchor.

 - Drill holes 8mm diameter.
 - Flatten barbs on head flange of wall anchors (1). Insert the wall anchors (1) into the drilled holes until the head flange is against the wall surface.



- Fit the wall anchor M4 screws (5) with washers (6) through holes in fixing plates (3) before screwing them into installed wall anchors. Ensure orientation of fixing plates is as pictured.
 - Tighten screws (5).
 - For Glass Shelf/ Towel Rail: Check alignment of both fixing plates before tightening screws (5).
- UNTILED CAVITY WALLS:**-(Plasterboard)
- Determine a suitable position to attach fixing plates (3) so that they can be fixed to a stud or noggin in the wall. Ensure orientation of fixing plates is as pictured.
 - Fit suitable screws (4) through holes in fixing plates (3) and screw directly into stud or noggin. For Glass Shelf/ Towel Rail: Check alignment of both fixing plates before tightening screws.
- Loosen the screw (8) on the accessory using the allen key (9) provided. Install accessory (7) onto fixing plate (3), making sure that fixing screw (8) is located underneath as shown. With accessory resting securely against wall surface, tighten screw (8) using allen key (9) provided.

