

IMPORTANT

Provide suitable reinforcement behind finished wall for the basin D.200 Basin Fixing Kit at the specified height position. For installation with pedestal the procedure for, **Installation with Pedestal using D.200 Basin Fixing Kit** must be followed with reference to **Fig. 4**.

Roughing in for Wall Hung Basin:

For timber stud walls, noggins and studs must be positioned at a height to allow for the location of fasteners, as detailed in **Fig. 1**. When installing a shroud, position water inlet connections, as detailed in **Fig. 1**.

INSTALLATION WITHOUT PEDESTAL USING D.200 BASIN FIXING KIT

- 1- Mark fixing screw hole position on finished wall at the recommended height as detailed in **Fig. 1**.
- 2- Drill two Ø12mm holes in masonry wall for expansion fasteners. For timber stud walls drill two Ø8mm holes for Fixing Screws.
- 3- Insert expansion fasteners into the drilled holes in masonry wall. Screw fixing screws into the wall using the flats located on the screws section of the stud and spanner as shown in **Fig. 2**. Allow 55mm of thread to protrude from the finished wall.
- 4- Locate basin onto the Fixing Screws on the wall. Insert plastic bushes, metal washers and fasten to wall with fixing nut. To complete assembly as detailed in **Fig. 3**.
- 5- The Plastic Bush allows for levelling adjustment if required by rotating the hexagonal head bush, the basin will be slightly raised or lowered as shown in **Fig. 3**.
- 6- Fit taps and waste assembly to the basin.
- 7- Tighten fixing nuts and connect plumbing to complete the installation.

SHROUD INSTALLATION

For installations using the D.200 Basin Fixing Kit, locate links on to fixing screws and fit fixing springs.

- 1- Ensure basin is secured to bracket and plumbing is connected.

- 2- Position shroud to underside of basin and pull down springs with two fingers to locate into holes at the side of the shroud.
- 3- Check shroud is tensioned and secured against basin. The tension of the spring is adjusted by moving its location in the hole in the link.

Roughing in for Pedestal Basin

IMPORTANT - For timber stud walls, noggin and stud must be positioned at a height to allow for the location of fasteners, as detailed in **Fig. 4**. For optimum basin-pedestal installation, the basin must be positioned over the pedestal to determine the height position for the D.200 basin fixing kit and waste pipe floor/wall position, as detailed in **Fig. 4**.

INSTALLATION WITH PEDESTAL USING D.200 BASIN FIXING KIT

- 1- Mark fixing screw hole position on finished wall at the height as determined above, approximately 805mm as detailed in **Fig. 1**. Position basin over pedestal and check fixing centres and waste pipe centres. Adjust if necessary.
- 2- Drill two Ø12mm holes in masonry wall for expansion fasteners. For timber stud walls drill two Ø8mm holes for Fixing Screws.
- 3- Insert expansion fasteners into the drilled holes in masonry wall. Screw fixing screws into the wall using the flats located on the screws section of the stud and spanner as shown in **Fig. 2**. Allow 55mm of thread to protrude from the finished wall.
- 4- Locate the basin over the pedestal onto the fixing screws on the wall. Insert plastic bushes, metal washers and fasten to the wall with the fixing nuts to complete the assembly.
- 5- The plastic bushes allow for levelling of the basin if required by rotating the hexagonal head bush, the basin will be slightly raised or lowered.
- 6- Fit taps and waste assembly to the basin.
- 7- Tighten the fixing nuts and connect plumbing to complete the installation.
- 8- The pedestal should be bedded with an acetic cured silicone sealant and fixed to the floor with screws, cup washer and plastic plugs provided.

Wall Hung Basin D.200 Basin Fixing Kit

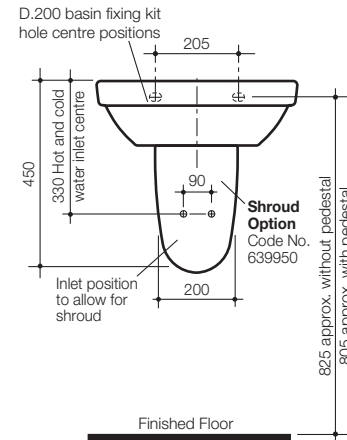


Fig. 1

D.200 Basin Fixing Kit Completed Installation

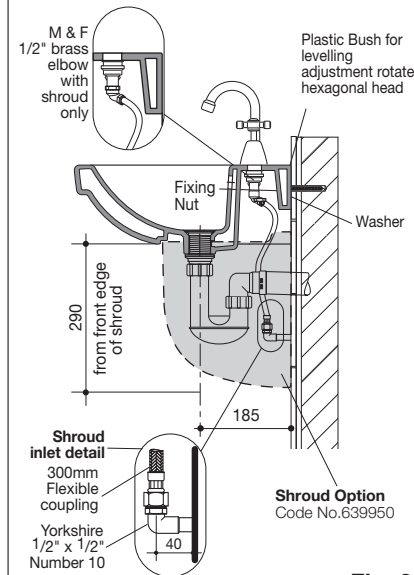
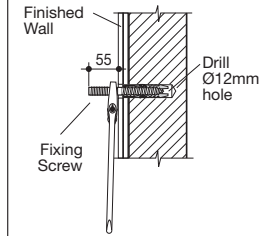


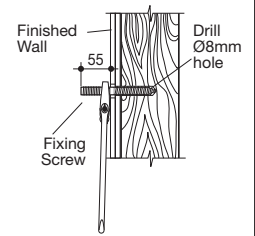
Fig. 3

IMPORTANT:

Fixing Screw Masonry Walls Installation



Fixing Screw Timber Stud Walls Installation



D.200 Basin Fixing Kit

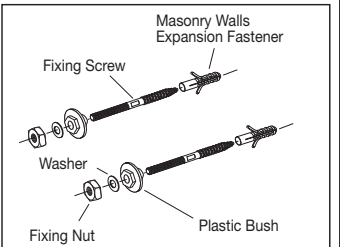


Fig. 2

Pedestal Wall Basin Installation

Waste pipe floor position

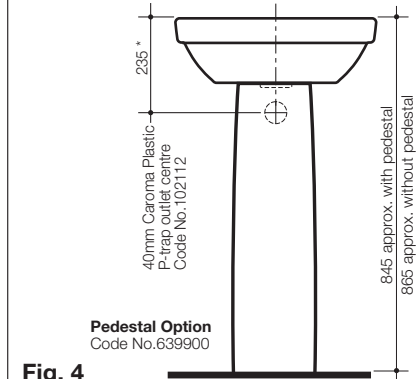
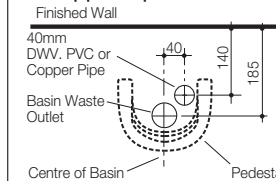


Fig. 4

All measurements are subject to accepted manufacturing tolerances. To ensure accuracy please check actual product dimensions before drilling for installation. The manufacturer reserves the right to change specifications at any time without giving prior notification. This product should be installed by a qualified plumber. Local authority, Water Board, and Building Regulations may apply to the installation of this product, and you should consult the appropriate bodies on these requirements.