

PLUMBERS INSTALLATION INSTRUCTIONS

Installation

- 1) Turn off hot and cold water supplies and remove existing wall top assemblies (handles, flanges, tap head assemblies).
- 2) Check that the face of the recess tap body (1) is between 0-20mm from the wall/tile face, as shown (Fig.1).
- 3) Check seats in recess tap bodies (1) are in good condition and free of foreign materials. Reseat if required.
Important: All pipework must be thoroughly flushed prior to installation, to remove all foreign matter.
- 4) Fit cover plate (2) to conversion tap body (3). Fully open tap spindle by turning handle (4) anti-clockwise. Ensure fibre washer is in position as shown (Fig.1).
- 5) Screw each conversion tap body (3) into recess tap body (1) by hand and tighten using a suitable spanner, taking care not to damage the decorative finish. Slide cover plate (2) up against wall/tile face.
- 6) Swivel each outlet (6) to a suitable position (Fig.2). Connect flexible hose(s) from washing machine to the washing machine conversion tap outlet(s).

Operation

- 1) Turn handles (4) & (5) on each conversion tap clockwise until closed. Turn on hot and cold water supplies.
- 2) To check operation, turn handle (5) anti-clockwise to discharge water to washing machine. Turn handle (4) anti-clockwise to discharge water from laundry arm into tub.

IMPORTANT

Pressure & Temperature Requirements.

- Hot and cold water inlet pressures should be equal.
- Static inlet pressure range : 150 -1000 kPa
New Regulation:- 500 kPa maximum static pressure at any outlet within a building. (Ref. AS/NZS 3500.1)
- Maximum hot water temperature : 80°C.

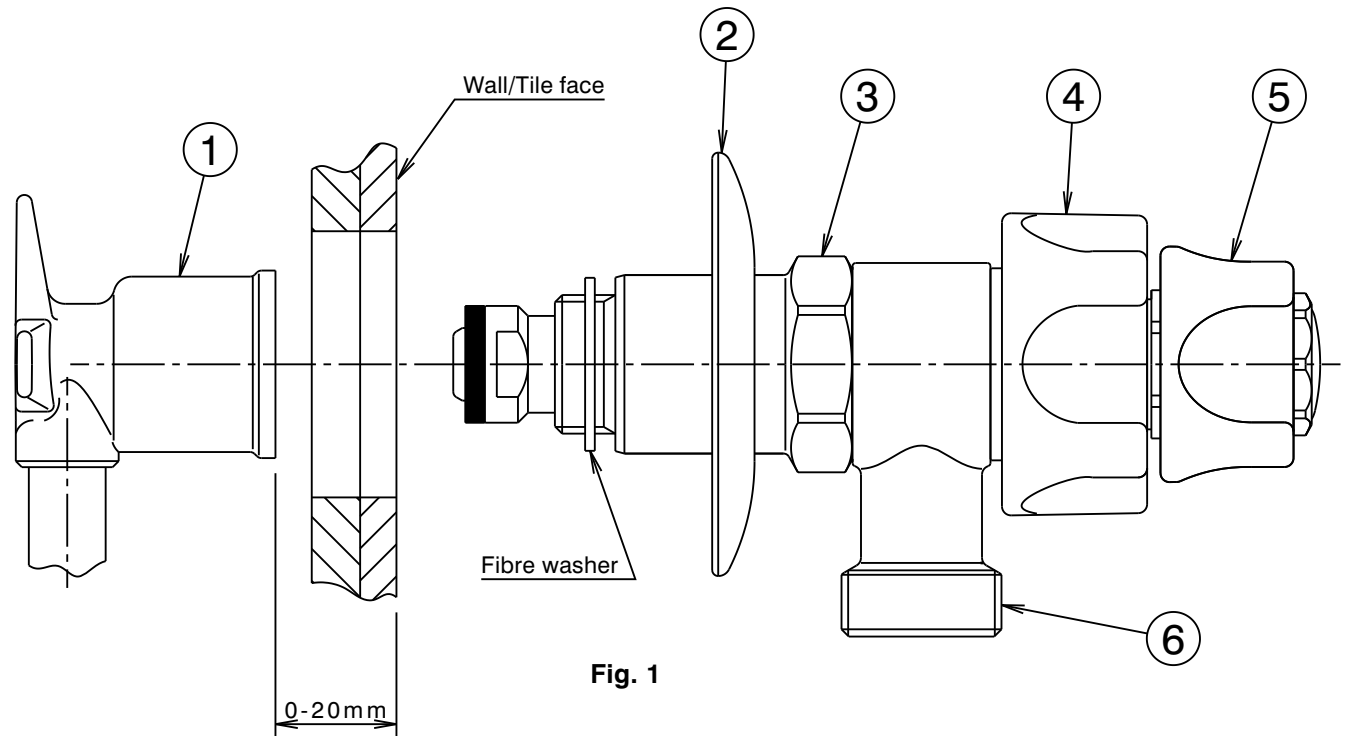
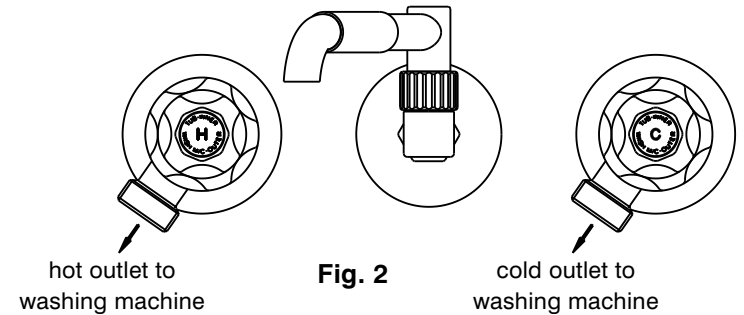


Fig. 1