



# VIRIDIAN - BATH / SHOWER MIXER

## PLUMBERS INSTALLATION INSTRUCTIONS

### Important Information

- \* **Brazed connections should NOT be made directly onto the mixer, as excessive heat will cause permanent damage.**
- \* **All pipework must be thoroughly flushed prior to installation.**

### Installation (Fig. 1 & 2)

- 1) Fit mixer body (9) onto a suitable mounting plate or noggin in the wall and secure using screws through the holes in its base. When facing the mixer, the connections should be as follows :  
Hot water inlet connection 'H' to the left.  
Cold water inlet connection 'C' to the right.  
Mixed water outlet connection, vertically upwards.  
Check all connections for leaks.
- Important :**
- \* Mixer body (9) must be installed square to wall/tile face, to ensure cover plate (5) sits flush.
  - \* Flat face of mixer body (9) must be horizontal to ensure that orientation of cover plate (5) is correct.
  - \* To avoid damaging the decorative finish, do not remove the plastic protective sleeve until installation has been completed.
- 2) Slide the cover plate (5) onto the mixer body (9) and push firmly until it contacts the wall/tile face.
  - 3) Fit handle (1) taking care that it is pushed fully down onto cartridge (8), then tighten grub screw (2) using 2.5mm allen key (3). Insert plug (4) taking care not to damage the decorative finish.
  - 4) Turn on Hot and Cold water supplies and check operation.

### Replacing Cartridge (See Fig. 2)

- 1) Turn off hot and cold water supplies.
- 2) Carefully remove plug (4) before using a 2.5mm allen key (3) to loosen grub screw (2) and remove handle (1). Remove cap (6) taking care not to damage the decorative finish. Unscrew nut (7) then lift out old cartridge (8).
- 3) Ensure inside face of mixer body (9) is clean. Check that seal is in position in base of new cartridge (8). Fit new cartridge (8) into mixer body (9), taking care that two lugs on base of cartridge (8) fit into mating holes in mixer body (9).
- 4) Screw on nut (7). **Important :** Nut (7) should be tightened to a torque of 10Nm.
- 5) Replace cap (6), tightening by hand. Fit handle (1) taking care that it is pushed fully down, then tighten grub screw (2). Replace plug (4) taking care not to damage the decorative finish.
- 6) Turn on water supplies and check operation.

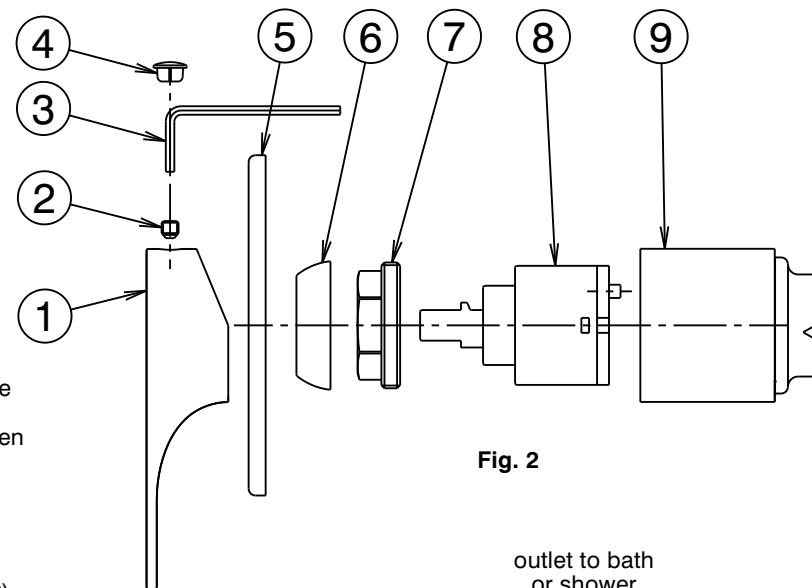


Fig. 2

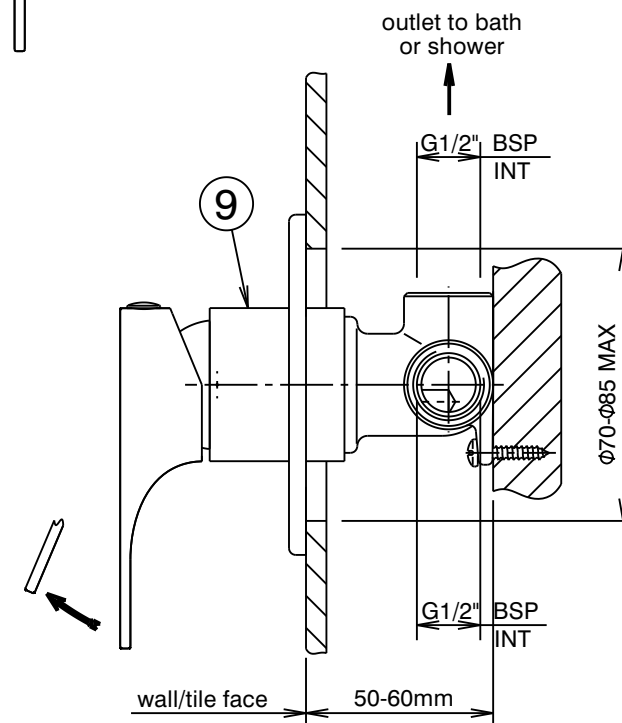


Fig. 1

### **IMPORTANT**

#### **Pressure & Temperature Requirements.**

- Hot and cold water inlet pressures should be equal.
- Static Inlet pressure range : 150 -1000 kPa  
New Regulation : -500 kPa maximum static pressure at any outlet within a building.  
(Ref. AS/NZS 3500.1-2003, Clause 3.3.4)
- Maximum hot water temperature : 80°C.

#### **Installation Requirements.**

- The installing plumber is responsible for waterproofing all penetrations for Taps in Shower areas at installation by a proprietary flange system or a sealant.  
(Ref AS3740-2010, Clause 3.10)