

PLUMBERS INSTALLATION INSTRUCTIONS

INTEGRA URINAL FIXING

INSTALLATION PROCEDURE

1 - SET OUT

Install inlet and outlet pipework to the dimension shown. The water supply to the urinal (either in-wall or in-duct) should be provided with a threaded female fitting of 1/2 B.S.P. mounted flush with the finished wall surface, as detailed in Fig. 1.

2 - FIXING BRACKET

Fix the bracket securely to the finished wall with expansion fasteners or other suitable fastening methods. Clamp outlet pipe with bracket clamp.

3 - URINAL INLET

The urinal inlet pipe is supplied with the urinal mounting bracket. The inlet pipe passes through a hole in the top of the fixing bracket and screws into the sparge pipe as detailed in Fig 2.

4 - FITTING URINAL (Refer Fig. 3.)

a) Ensure fixing bracket sliding wedge block is adjusted to its lowest position by the adjustment screw at the bottom of the fixing bracket.

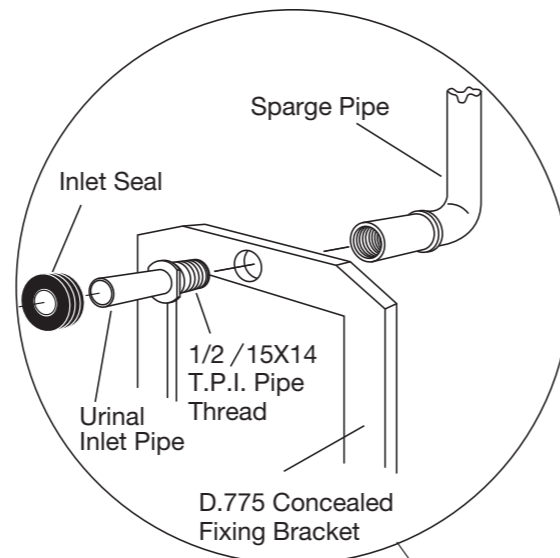
b) Fit inlet and outlet seals to the urinal.
NOTE : Grey outlet seal is used on Ø50 brass waste/drain pipe and black outlet seal is used on Ø50 P.V.C waste/drain pipe.

c) Fit brass tie hook into hole in web of urinal below outlet so that the threaded section is on the left.
NOTE : Use pliers to straighten hook if required.

d) Push urinal over the bracket and make connection onto the inlet and outlet pipes.

e) Use a screwdriver to access the adjustment screw from the recess hole in the underside of the urinal to adjust the sliding wedge block to fix the top of the urinal in the position.

f) The urinal is finally fixed into position by sliding the tie hook into the slot in the bottom of the fixing bracket, and securing with the wing nut.



INLET PIPE DETAIL
Fig. 2

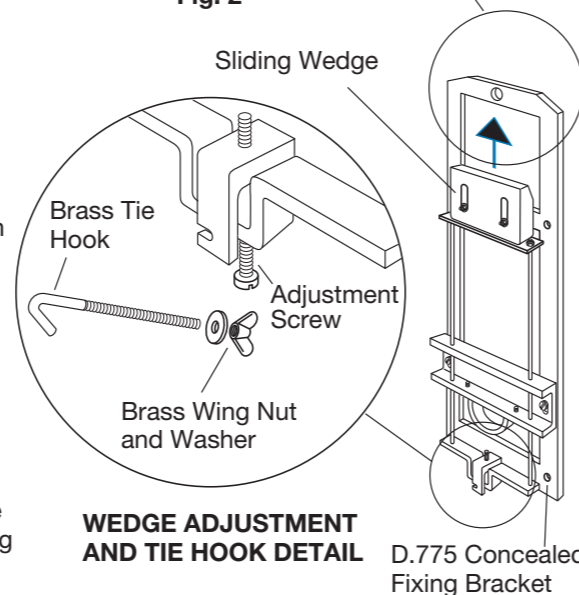


Fig. 3

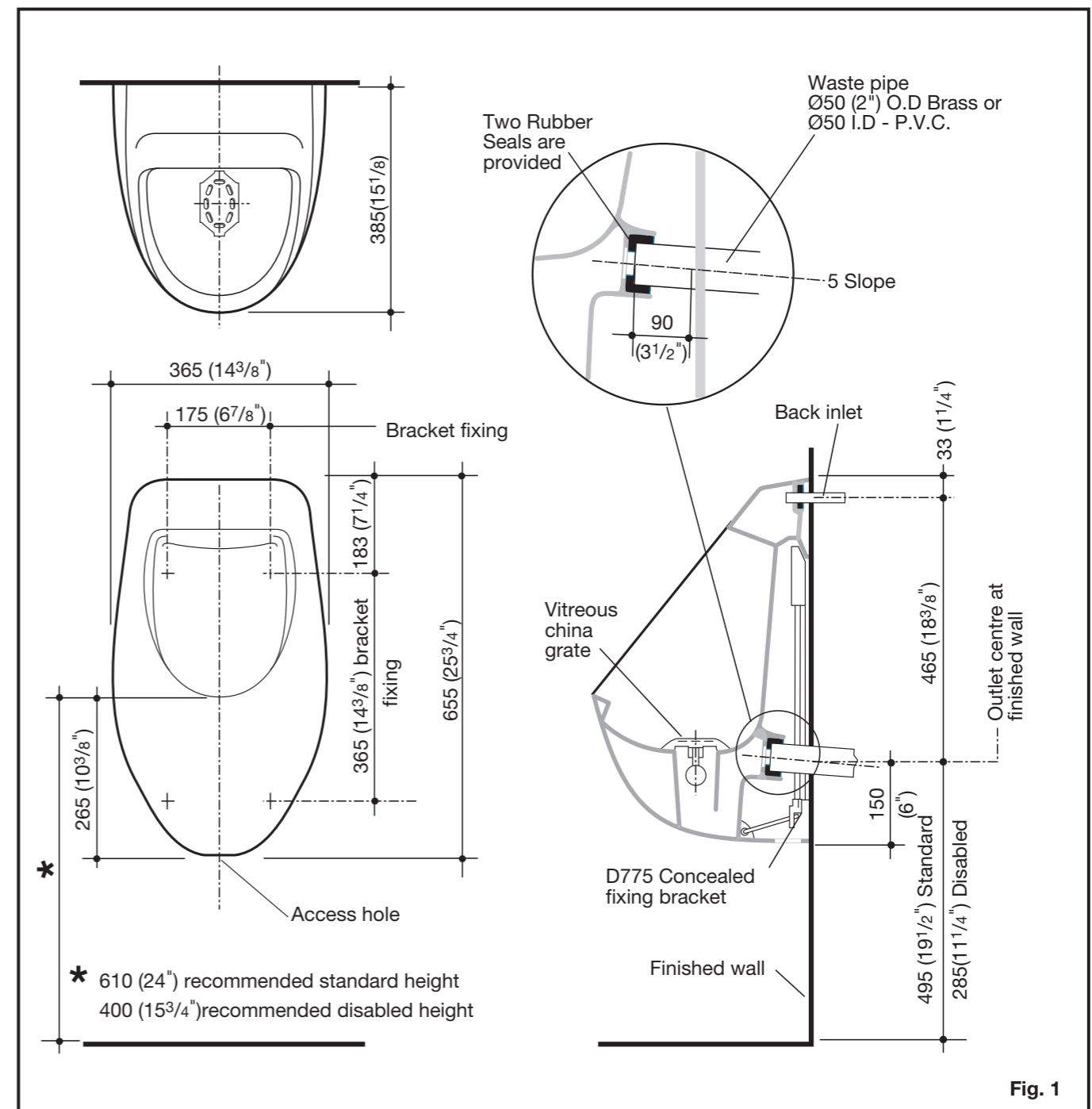


Fig. 1