

PLUMBERS INSTALLATION INSTRUCTIONS

Important Information

- * Trim kit (1-8) & body kit (9-13) are sold separately.
- * Brazed connections should NOT be made directly onto the mixer, as excessive heat will cause permanent damage.
- * All pipework must be thoroughly flushed prior to installation.
- * Final install must be checked at rough-in stage (step 1).
- * The in-wall range (base to wall face) is non-standard.

Installation (Fig. 1 & 2)

- 1) **Body kit:** Fit mixer body (12) onto a suitable mounting plate or noggin in the wall and secure using screws (not supplied) through the holes in the body. When facing the mixer, the connections should be as follows:
Hot water inlet connection 'H' to the left.
Cold water inlet connection 'C' to the right.
Outlet to shower 'S', vertically upwards.
Outlet to bath 'B', vertically downwards.
Check all connections for leaks & the tap for correct operation.

Important :

- * Mixer body (12) must be installed square to wall/tile face, to ensure cover plate (5) sits flush.
 - * To avoid damaging the decorative finish, do not remove the protective sleeves until installation has been completed.
- 2) **Trim kit:** Apply a suitable clear sealant to the back edge of the cover plate (5), leaving an unsealed section at the bottom for drainage. Check that the diverter sleeve (13) is tightened securely. Rotate the spindle of diverter in an anti-clockwise direction to the stop position (Fig.2). Check that the seals (5a) & (5b) are fitted in the cover plate (5) as shown, then carefully slide the cover plate (5) over the mixer body (12) and diverter sleeve (13). Push the cover plate (5) firmly against the wall/tile face. Wipe/clean excess sealant from the chrome surfaces & the wall/tile face (See Fig. 1).
 - 3) Fit diverter knob (6) onto the diverter spindle, ensuring the hole for screw (7) is facing downwards as shown (Fig.1), then tighten grub screw (7) using the 2.5mm allen key (3) and fit plug (8).
 - 4) Fit handle (1) taking care that it is pushed fully onto cartridge stem, then tighten grub screw (2) using the 2.5mm allen key (3). Fit plug (4), taking care not to damage the decorative finish.
 - 5) Turn on Hot and Cold water supplies and check operation.
Note: To deliver water to the bath outlet, rotate the diverter knob (6) anti-clockwise with the flat face horizontal and the handle plug facing downwards. (Fig.1). To deliver water to the shower outlet, rotate the diverter knob (6) clockwise with the flat face in a vertical position.

Replacing Cartridge (Fig. 2)

- 1) Turn off hot and cold water supplies.
- 2) Carefully remove plug (4) before using a 2.5mm allen key (3) to loosen grub screw (2) and remove handle (1). Remove cap (9) taking care not to damage the decorative finish. Unscrew nut (10) then lift out old cartridge (11).
- 3) Ensure inside face of mixer body (12) is clean. Check that seal is in position in base of new cartridge (11). Fit new cartridge (11) into mixer body (12), taking care that two lugs on base of cartridge (11) fit into mating holes in mixer body (12).
- 4) Screw on nut (10). **Important :** Nut (10) should be tightened to a torque of 10Nm. Replace cap (9) and tighten firmly by hand.
- 5) Fit handle (1) taking care that it is pushed fully onto cartridge stem, then tighten grub screw (2) using the 2.5mm allen key (3). Replace plug (4), taking care not to damage the decorative finish.
- 6) Turn on water supplies and check operation.

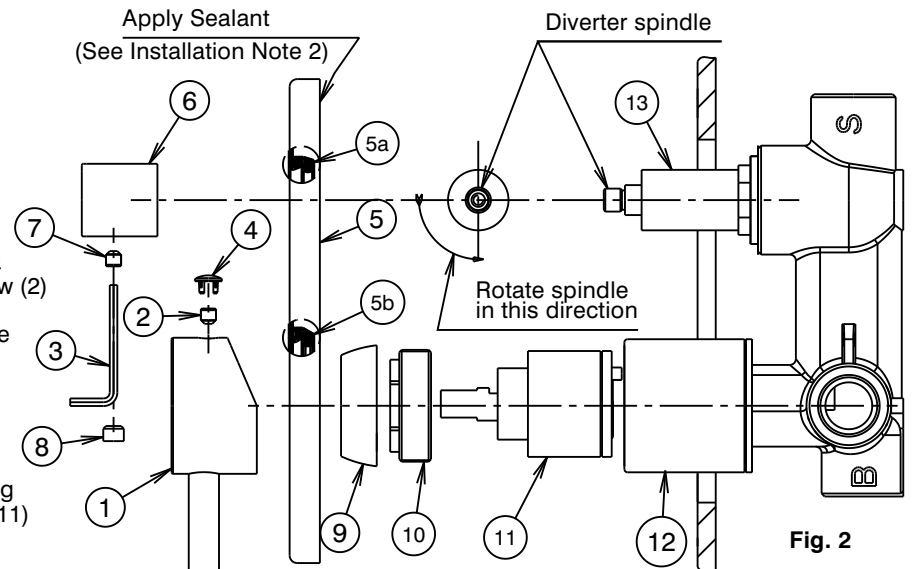


Fig. 2

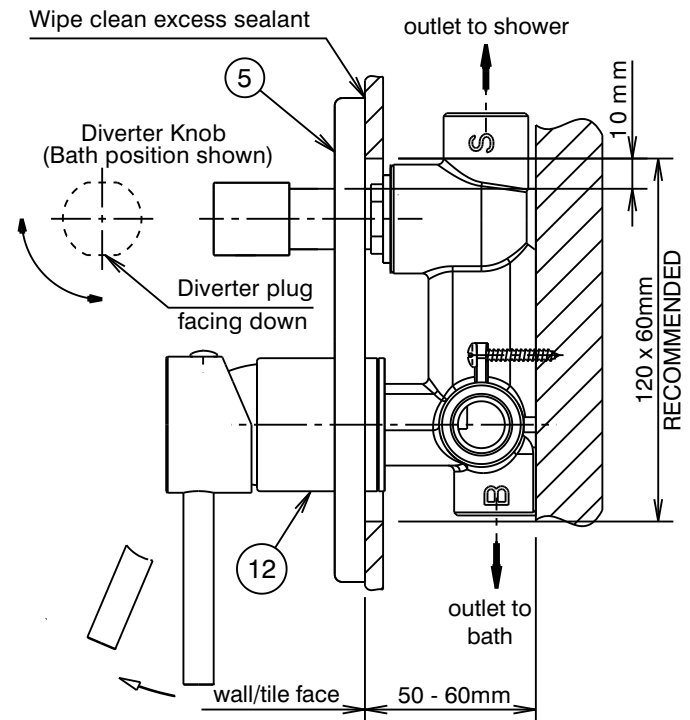


Fig. 1

IMPORTANT	
<u>Pressure & Temperature Requirements.</u>	
<ul style="list-style-type: none"> • Hot and cold water inlet pressures should be equal. • Static inlet pressure range : 150 -1000 kPa New Regulation :-500 kPa maximum static pressure at any outlet within a building. (Ref. AS/NZS 3500.1) • Maximum hot water temperature : 80°C. 	
<u>Installation Requirements.</u>	
<ul style="list-style-type: none"> • The installing plumber is responsible for waterproofing all penetrations for Taps in Shower areas at installation by a proprietary flange system or a sealant. (Ref AS3740) 	