



EPIC ACCESSORIES - TOILET ROLL HOLDER

INSTALLATION INSTRUCTIONS

Important Information:

- * If installing into a cavity wall the toilet roll holder must be attached to the wall in line with a stud or noggin using suitable screws.
- * To prevent drill from wandering on tiled surfaces it is recommended that masking tape be applied before drilling.

Installation

- 1) Determine a suitable position for the toilet roll holder on the wall. Locate the mounting bracket (2) in the chosen position, with the screw holes horizontal & the flat at the bottom, then mark the hole positions accurately on the wall.
- 2) **SOLID WALLS:-**(Brick, masonry blocks, concrete etc)
 - i) Drill holes 6.00mm diameter, 40mm deep.
 - ii) Insert rounded end of wall plugs (1) into drilled holes and tap until flush with the wall surface.
 - iii) Position the mounting bracket as before, then fit screws (3) through the holes in the mounting bracket (2), and insert into wall plugs (1). Tighten screws (3).
- CAVITY WALLS:-**
 - i) Drill holes to suit fixing screws chosen.
 - ii) Position the mounting bracket as before, then fit screws through the holes in the mounting bracket (2) and screw directly into stud or noggin. Tighten screws.
- 3) Install the toilet roll holder (4) onto the mounting bracket (2) with grub screw (5) located underneath as shown. Push the toilet roll holder against the wall surface while tightening the grub screw (5) using the 2.5mm allen key (6) provided. Ensure that the grub screw (5) engages with the hole in the mounting bracket (2) before tightening.

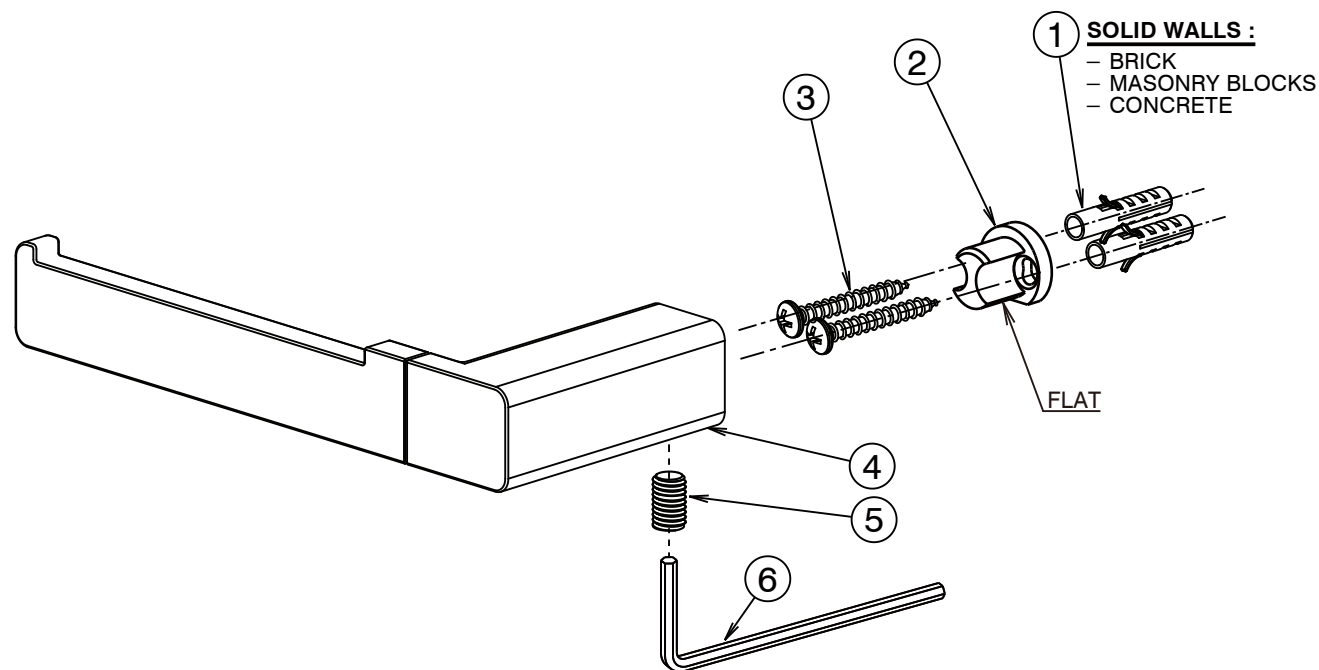


Fig.1