



EPIC - BATH/SHOWER MIXER

PLUMBERS INSTALLATION INSTRUCTIONS

Important Information

- * **Brazed connections should NOT be made directly onto the mixer, as excessive heat will cause permanent damage.**
- * **All pipework must be thoroughly flushed prior to installation.**
- * **Final install must be checked at rough-in stage (step 1).**

Installation (Fig. 1 & 2)

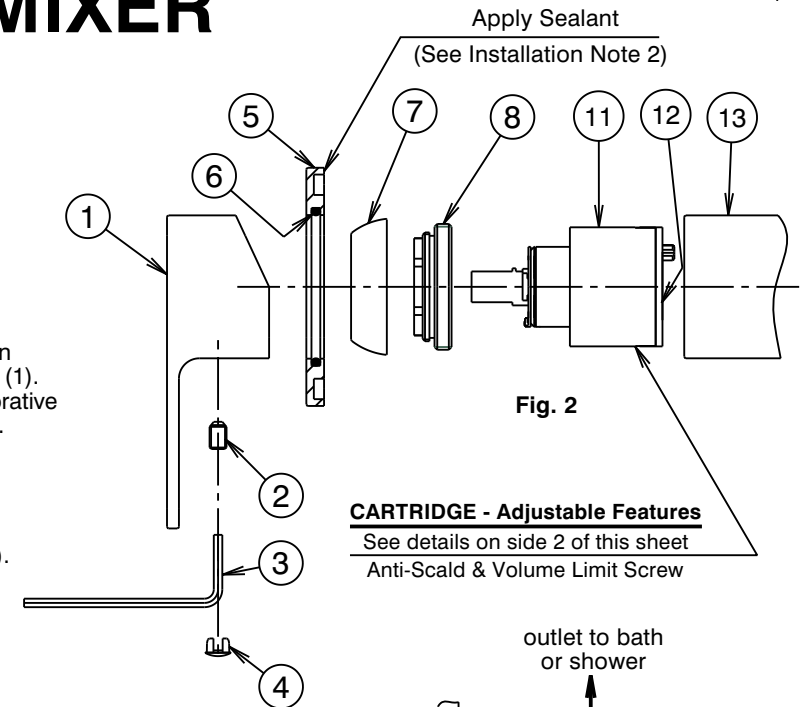
- 1) Fit mixer body (13) onto a suitable mounting plate or noggin in the wall and secure using screws (not supplied) through the holes in its base. When facing the mixer, the connections should be as follows:
Hot water inlet connection 'H' to the left.
Cold water inlet connection 'C' to the right.
Mixed water outlet connection, vertically upwards.
Check all connections for leaks.

Important :

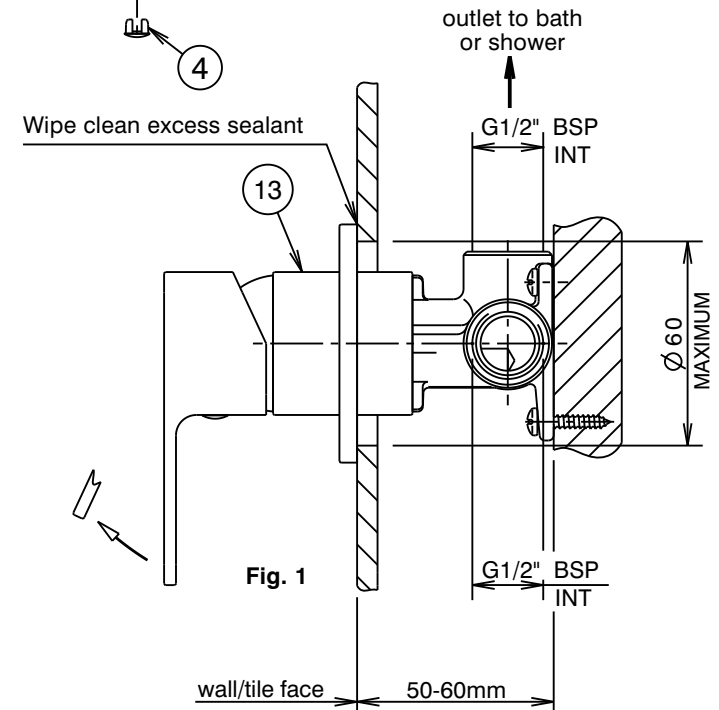
- * Top face of sleeve (13) must be horizontal to ensure that wall cover plate (5) aligns with tile joints.
 - * To avoid damaging the decorative finish, do not remove the protective sleeve until installation has been completed.
- 2) Apply a suitable clear sealant to the back edge of the cover plate (5), leaving an unsealed section at the bottom for drainage. Carefully slide the cover plate (5) onto the mixer body (13), ensuring that the 'O' Ring (6) remains in its groove, then push the cover plate firmly against the wall/tile face. Wipe clean any excess sealant from the chrome surfaces and the wall/tile face (See Fig. 1).
 - 3) Fit handle (1) as shown, taking care that it is pushed fully down, then tighten grub screw (2) using 2.5mm allen key (3). Insert plug (4) taking care not to damage the decorative finish.
 - 4) Turn on Hot and Cold water supplies and check operation.

Replacing Cartridge (Fig. 2)

- 1) Turn off hot and cold water supplies.
- 2) Carefully remove plug (4) before using a 2.5mm allen key (3) to loosen grub screw (2) and remove handle (1). Remove cap (7) taking care not to damage the decorative finish. Unscrew nut (8) then lift out old cartridge (11).
- 3) Ensure inside face of mixer body (13) is clean. Check that seal (12) is in position in base of new cartridge (11). Fit new cartridge (11) into mixer body (13), taking care that two lugs on base of cartridge (11) fit into mating holes in mixer body (13).
- 4) Screw on nut (8). **Important :** Nut (8) should be tightened to a torque of 10Nm.
- 5) Replace cap (7), tightening by hand. Fit handle (1) taking care that it is pushed fully down, then tighten grub screw (2) Replace plug (4) taking care not to damage the decorative finish
- 6) Turn on water supplies and check operation.



CARTRIDGE - Adjustable Features
See details on side 2 of this sheet
Anti-Scald & Volume Limit Screw



IMPORTANT	
<u>Pressure & Temperature Requirements.</u>	
•	Hot and cold water inlet pressures should be equal.
•	Static inlet pressure range : 150 -1000 kPa New Regulation :-500 kPa maximum static pressure at any outlet within a building. (Ref. AS/NZS 3500.1)
•	Maximum hot water temperature : 80°C.
<u>Installation Requirements.</u>	
•	The installing plumber is responsible for waterproofing all penetrations for Taps in Shower areas at installation by a proprietary flange system or a sealant. (Ref AS3740)



EPIC - BATH/SHOWER MIXER

+

PLUMBERS ADJUSTMENT INSTRUCTIONS

Adjusting the HOT LIMIT RING (ANTI-SCALD STOP RING)

The cartridge fitted in this mixer has been factory pre-set to deliver the maximum available hot water temperature. To use the ANTI-SCALD feature adjust the cartridge as follows:-

Carefully remove plug (4). Using 2.5mm allen key (3) loosen screw (2) and remove handle (1). Unscrew cap (7) taking care not to damage the decorative finish. (See details on side 1 of this sheet.)

To remove the Hot Limit Ring (9) from the cartridge (11), use a small thin flat bladed screwdriver and carefully lever in an upwards direction.

Rotate the Ring (9) in an anti-clockwise direction then refit the Ring (9) onto the cartridge (11).

Note:- Start by rotating the Ring (9) in small increments, then check the hot water temperature with the mixer handle in the fully open maximum hot water position. The Ring (9) can be removed & repositioned until the desired maximum hot water temperature is achieved.

Ensure the Ring (9) is pushed fully down onto the cartridge (11), then replace cap (7), tightening by hand. Fit handle (1), taking care that it is pushed fully down, tighten screw (2) and replace plug (4).

Adjusting the WATER VOLUME LIMIT SCREW

The cartridge fitted in this mixer has been factory pre-set to deliver the maximum flow of water when the mixer handle is in the fully open position. However, the flow of water may be reduced by adjusting the cartridge as follows:-

Carefully remove plug (4). Using 2.5mm allen key (3) loosen screw (2) and remove handle (1). (See details on side 1 of this sheet.)

Using a 1.50mm allen key, adjust screw (10) in a clockwise direction. **Note:-** Start by rotating the Screw (10) in small amounts then check the flow of water with the mixer handle in the fully open position. Readjust the screw until the desired water flow is achieved.

Fit handle (1), taking care that it is pushed fully down, tighten screw (2) and replace plug (4).

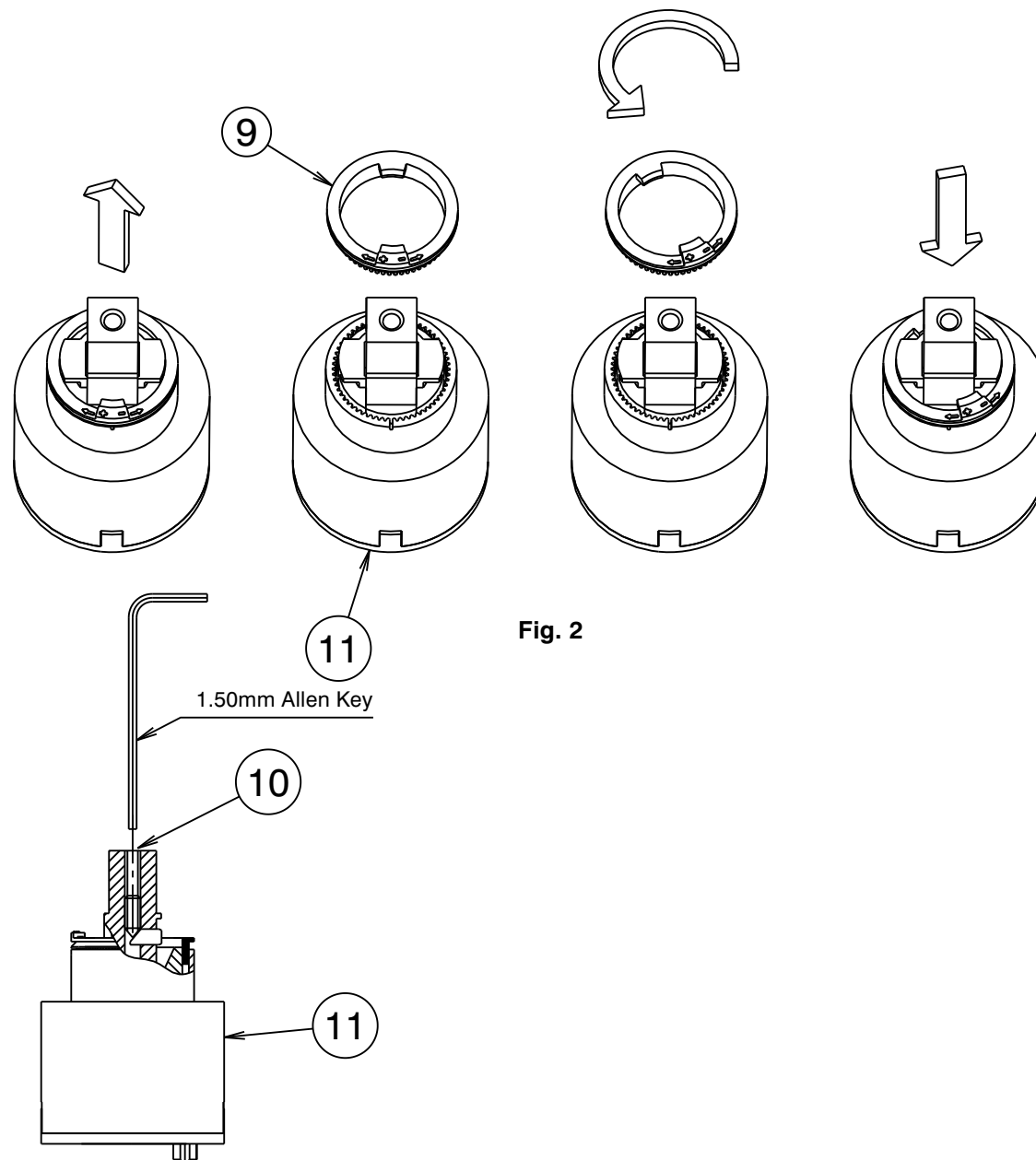


Fig. 2

Fig. 3

+